

SC-PSW0401E-HDBO

4K Presentation Device 0401 HDBaseT



- 4 Channel Input
- USB-C, HDMI 2.0, DP 1.4, VGA
- Automatic Switching
- HDBaseT POH Output
- 4K@60Hz HDR 10 4:4:4

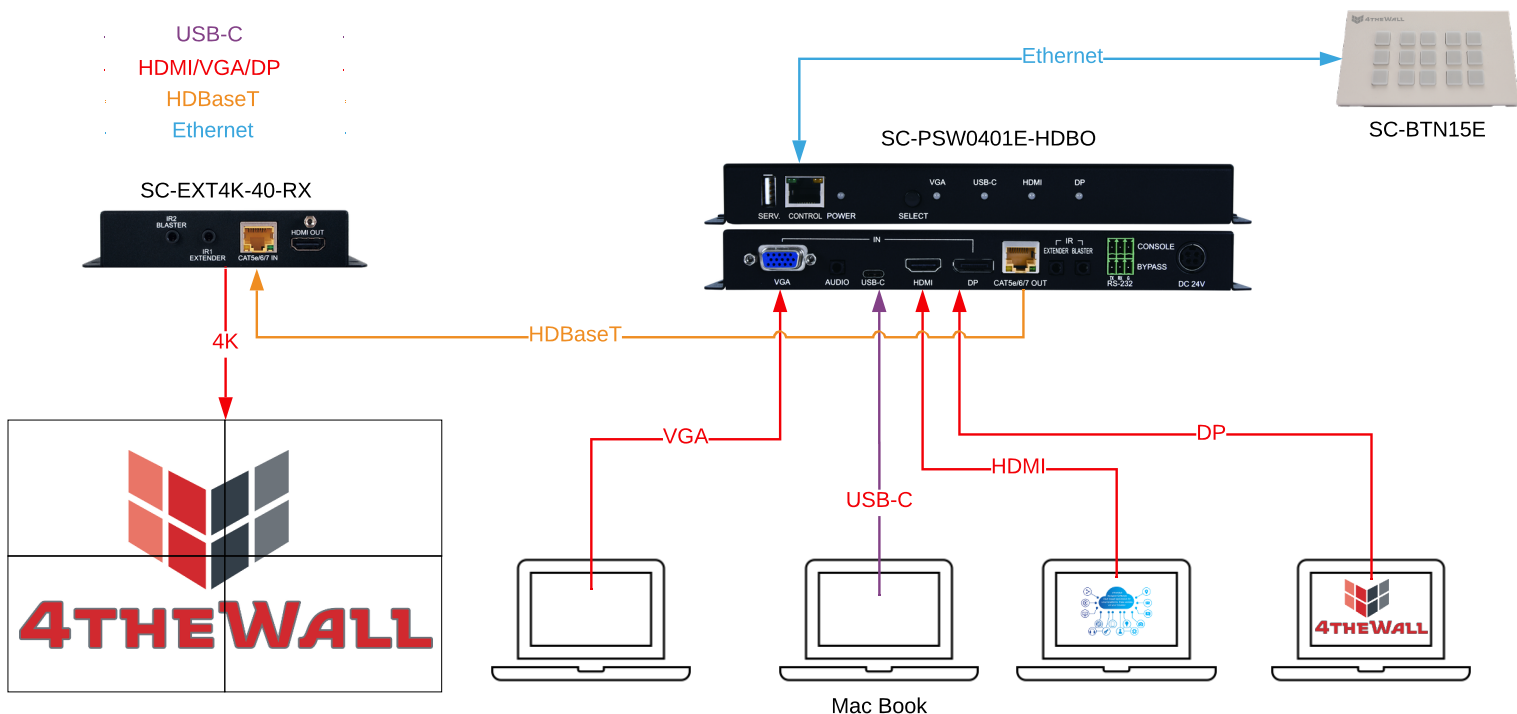
It can direct the selected input to the HDBaseT with the support of multiple formats or automatically select the last inserted input to the output.

SC-PSW0401E-HDBO can transmit the output signal 18G 4K @ 60Hz 4: 4: 4 signal to a distance of 40 meters.

SC-PSW0401E-HDBO can easily manage via web-based user interface. It has Telnet API for use with 3rd party products besides the source can select with the buttons on the front panel.

Features

- HDCP 2.2 supported,
- Supports 18G 4K@60Hz 4:4:4 UHD input,
- HDBaseT 4K@60Hz 40 meter output and automatic 1080p scaling function,
- 8 channel LPCM and HD bitstream and multiple format supports,
- Supports standard POH and HDBaseT receiver units
- Supports CEC
- EDID management feature,
- Web based, Telnet API, it can be controlled with RS232 and front panel buttons.
- It supports 60W power output as well as video input with USB-C.



Input and Output

Inputs
 1x HDMI 2.0, CEC, HDCP 2.0 ve HDCP 1.x and embedded audio
 1x USB-C ve 60W Power and embedded audio
 1x DP 1.4 and embedded audio
 1x VGA HD-15F (RGBHV) 153MHz and 3.5 mm stereo audio input

Input Features
 Supports up to 18G 4K@60Hz 4:4:4

Outputs
 HDBaseT (RJ45)

Output Features
 4K@60Hz 4:4:4 40 meter,
 1080p@60Hz 70 meter,
 HDBaseT bandwidth 10.2Gbps

Network Features

Ethernet
 1x RJ45 100Mbit

IP address features
 DHCP, local link , fixed IP

Management Features

Hardware Software Upgrade
 USB port

Management Options
 Web user interface, Telnet API, front panel buttons

General Features

Power Connection
 24V DC 3,75 Amp

Working Temperature
 0°C~40°C / 32°F~104°F

Humidity Range
 20~90% RH

Storage Temperature
 -20°C~60°C / -4°F~140°F

ESD Protection
 ±8kV (air-gap discharge)
 ±4kV (connection discharge)

Dimensions
 231.5mm × 108mm × 25mm - Width/Depth/Height

Weight
 675g

Power Value
 82W

Mounting
 Desktop

Certifications

AB/ABD
 CE / FCC

Package Details

Dimensions (packaged)
 231.5mm×116mm×25mm- Width/Depth/Height

Weight (packaged)

Package Content
 Presentation Device
 24V/3.75 A DC Power adaptor and power cable
 User manuel



Front View



Rear View