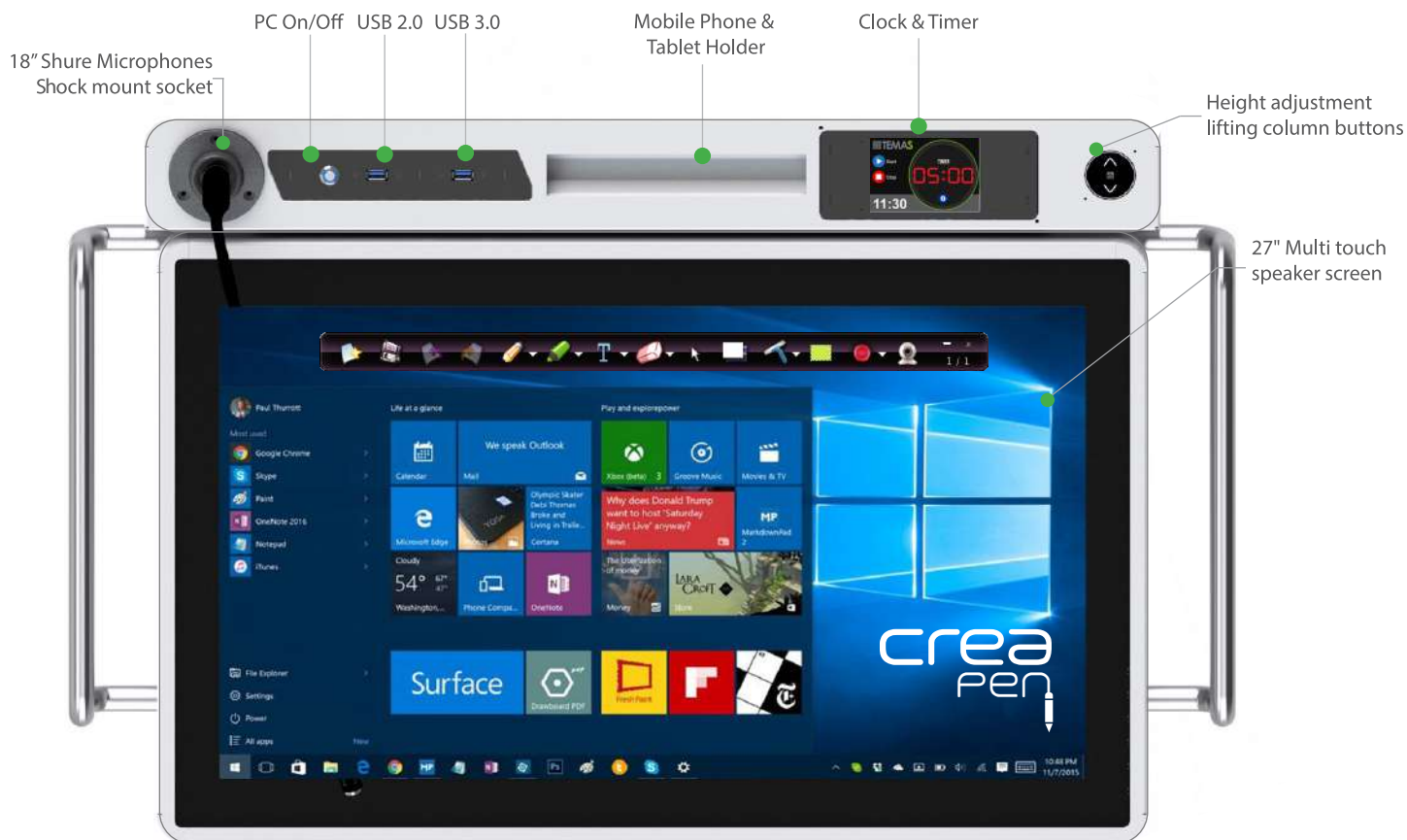


# DL27M-F

DIGITAL PODIUM



## Connectivity In



## Connectivity Out



The DL27M-F is specially designed podium, adjustable to various heights according to the needs the speaker. The 27" high precision touch screen allow the speaker to take notes and interact with the presentation more conveniently. Connecting your projector and sound system to the DL27M-F is as easy as connecting the cables.

|   | DL27M-F | DL27M |
|---|---------|-------|
| Multi touch speaker screen                                  | 27"     | 27"   |
| Front screen - with Embedded Signage Media Player           | 22"     | ✓     |
| Player PC : Intel i3 4GB, I20 GB SSD Win 10 Embedded iot OS | ✓       | ✓     |
| Microphone  | ✓       | ✓     |
| Creapen Annotation Software                                 | ✓       | ✓     |
| 3.5" Digital Touch Timer                                    | ✓       | ✓     |
| Remotely Controlled Height Adjustment                       | ✓       | ✓     |

# Speaker Screen

■ iiyama Prolite T2236MSC-B2

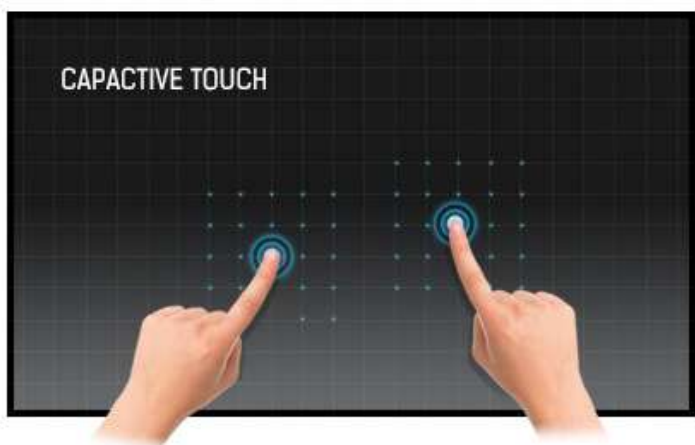


22" 10 point touch monitor with edge-to-edge glass and AMVA panel

With its Full HD (1920x1080) resolution and accurate Projective Capacitive 10 point touch technology, the ProLite T2236MSC delivers seamless and accurate touch response.

The AMVA panel technology guarantees high performance with excellent colour reproduction and high contrast, making it an excellent choice for a vast array of demanding interactive applications.

## Touch Technology



This technology uses a sensor-grid of micro-fine wires integrated into the glass that covers the screen. Touch is detected because electrical characteristics of the sensor grid change when human finger is placed on the glass. Thanks to the glass overlay this technology is highly durable, and the touch function remains unaffected even if the glass is scratched.

It offers perfect picture performance and will work with human finger (also latex gloved) and stylus-pen.

| Specifications                        |   |
|---------------------------------------|---|
| Diagonal                              | 21.5"; 55cm   |
| Aspect Ratio                          | 16 : 9  |
| Panel Amva                            | LED   |
| Native Resolution                     | Full HD 1080p, 1920 x 1080 ( 2.1 megapixel)                                 |
| Brightness                            | 250 cd/m <sup>2</sup> typical   |
| Brightness                            | 215 cd/m <sup>2</sup> with touch panel                                      |
| Advanced Contrast                     | 12 000 000 : 1 ACR  |
| Static Contrast                       | 3 000 : 1 with touch panel  |
| Response Time                         | 8 ms  |
| Viewing Zone                          | horizontal/vertical: 178° / 178°; right/left: 89° / 89°; up/down: 89° / 89° |
| Display Colour                        | 16.7 million  |
| Blue Light Reducer                    | yes   |
| Touch Technology                      | projective capacitive   |
| Touch Points                          | 10  |
| Glass Hardness                        | 7H minimum  |
| Light Transmittance                   | 85%   |
| Display Area                          | H X W 268.1 x 476.6 mm; 10.6" x 18.8 "                                      |
| Pixel Pitch                           | H X V 0.248 x 0.248 mm  |
| Horizontal Sync                       | 30 - 80 KHz   |
| Vertical Sync                         | 56 - 75 Hz  |
| Synchronization                       | Separate Sync   |
| INTERFACES / CONNECTORS / CONTROLLERS |   |
| Analog Input Connector                | VGA   |
| Digital Input Connector               | DVI, HDMI   |
| USB HUB                               | UP 1 x USB 3.0 / DOWN 4 x USB 3.0   |
| Controls                              | USB (touch), USB 3.0  |

# Front Screen

■ LG 22SM3B



The 22SM3B with the smart platform based on webOS is effective for simple and easy content management. With built-in Wi-Fi, it provides network convenience to simplify installation and to manage content efficiently.

## Quad Core SoC

The High Performance SoC can execute several tasks at the same time and provides smooth content playback.

## WebOS 2.0

The webOS 2.0 platform provides easy and convenient tools to create content.

## SNMP

Simple Network Management Protocol support ensures convenient network management.

| Specifications              |  |
|-----------------------------|--|
| Screen Size                 | 21.5"; 55cm  |
| Panel Technology            | IPS  |
| Aspect Ratio                | 16:9   |
| Native Resolution           | 1920X1080  |
| Brightness                  | 250 cd/m2  |
| Contrast Ratio              | 1,000:1 (Typ.)   |
| Dynamic CR                  | 4,000,000:1  |
| Viewing Angle (H x V)       | 178 x 178  |
| Surface Treatment           | Hard coating (3H),(Haze 1%(Typ.)                               |
| Guaranteed Operating Hour   | 16 Hours   |
| Orientation                 | Landscape  |
| Connectivity                |  |
| Input                       | HDMI, RGB, Audio, USB 3.0                                      |
| External Control            | RS232C In, RJ45 In, IR Receiver In (Built-in), Pixel Sensor In |
| Operating Temperature Range | 0 °C to 40 °C  |
| Operating Humidity Range    | 10 % to 80 %   |
| Power                       |  |
| Power Supply                | 100-240V~, 50/60Hz   |
| Power Type                  | Built-In Power   |
| Power Consumption           | 35W  |
| Audio Power                 | 2W(1W x 2) for Internal Speaker                                |
| Content Management Software | SuperSign W  |

Front Panel



Rear Panel



| Specifications   |  |
|------------------|--|
| Operating System | Windows 10 Embedded IoT  |
| Processor        | Intel Core i3  |
| Chipset          | Intel H310 Express chipset   |
| Ram              | 4GB  |
| Video            | HDMI x1 + DisplayPort x1 Supported double screens , 4K Play                                |
| Storage          | 120 GB SSD   |
| Audio            | 2 Channels   |
| Network          | 2 x 10/100/1000 Gigabit LAN (Intel Chipset), WIFI (Optional)                               |
| Ports            | 4 x USB3.0 - 2 x USB2.0 - 1 x HDMI - 1 x Display Port - 1 x eSATA+USB2.0 COM port 2 x RJ45 |
| Case             | Ultra Mini ITX   |
| Power            | 90W 19V Adapter  |



Operating System

# Microphone

## ■ Shure I8 CVGI8S-B Microphone



Designed with dual gooseneck sections for full articulation, the CVGI8 provide scalable, best-in-class performance in a wide variety of locations.

### Features

- Cardioid polar pattern with tailored response for speech
- Dual-section gooseneck enables ease of positioning and placement options
- Included Flange Mount and available snap-fit windscreens (ACVG4WS-B – 4 pack)
- With Mute switch/LED,
- Guards against unwanted RF Interference from portable wireless devices gh resistance to intense nearby radio signals
- Superior Shure design and rugged, dependable construction
- Noise by up to 20 dB.

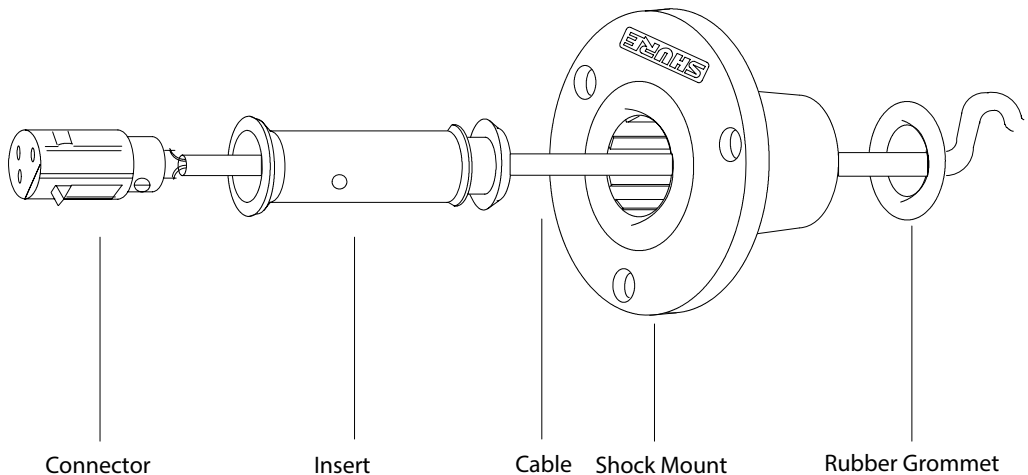
| Specifications                                   |                       |
|--|-----------------------|
| Cartridge Type                                   | Electret Condenser    |
| Frequency Response                               | 70–16000 Hz           |
| Polar Pattern                                    | Cardioid              |
| Output Impedance                                 | 180 Ω                 |
| Sensitivity (at 1 kHz , open circuit voltage)    | -33 dBV/Pa[1] (22 mV) |
| Maximum SPL (1 kHz at 1% THD)                    | 120 dB SPL            |
| Signal to Noise Ratio (referenced at 94 dB SPL)  | 67 dB                 |
| Dynamic Range                                    | 93 dB                 |
| Self Noise (equivalent SPL, A-weighted, typical) | 27 dB SPL             |
| Common Mode Rejection (10 Hz to 100 kHz)         | 45 dB                 |
| Preamplifier Output Clipping Level (1% THD)      | -7 dBV                |
| Polarity   | 3                     |
| Power Requirements                               | 11–52 V DC[4], 2.0 mA |



## ■ Shure A400SMXLR Shock Mount

### Shure A400SMXLR Shock Mount Socket

A400SMXLR Shock Mount decouples a microphone from the mounting surface and reduces transmission of impact or surface



# Application

■ Creapen Software

## Screen Annotation & Screen Recording Solution for Presentations

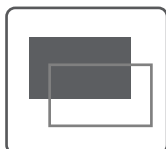
CreaPen is an extremely simple yet powerful screen annotation and recording software. You can easily write on top of any other application that is currently active on the desktop, even on a running video. You can then save your annotations as an image file or even record the whole session as a video for sharing. It is a useful tool for presenters to communicate and share ideas during a live session, for educators to create effective video tutorials and for salespeople to create impressive video presentations.



Text Input



Whiteboard



Multiple Pages



Screen Recording



Screen Annotation

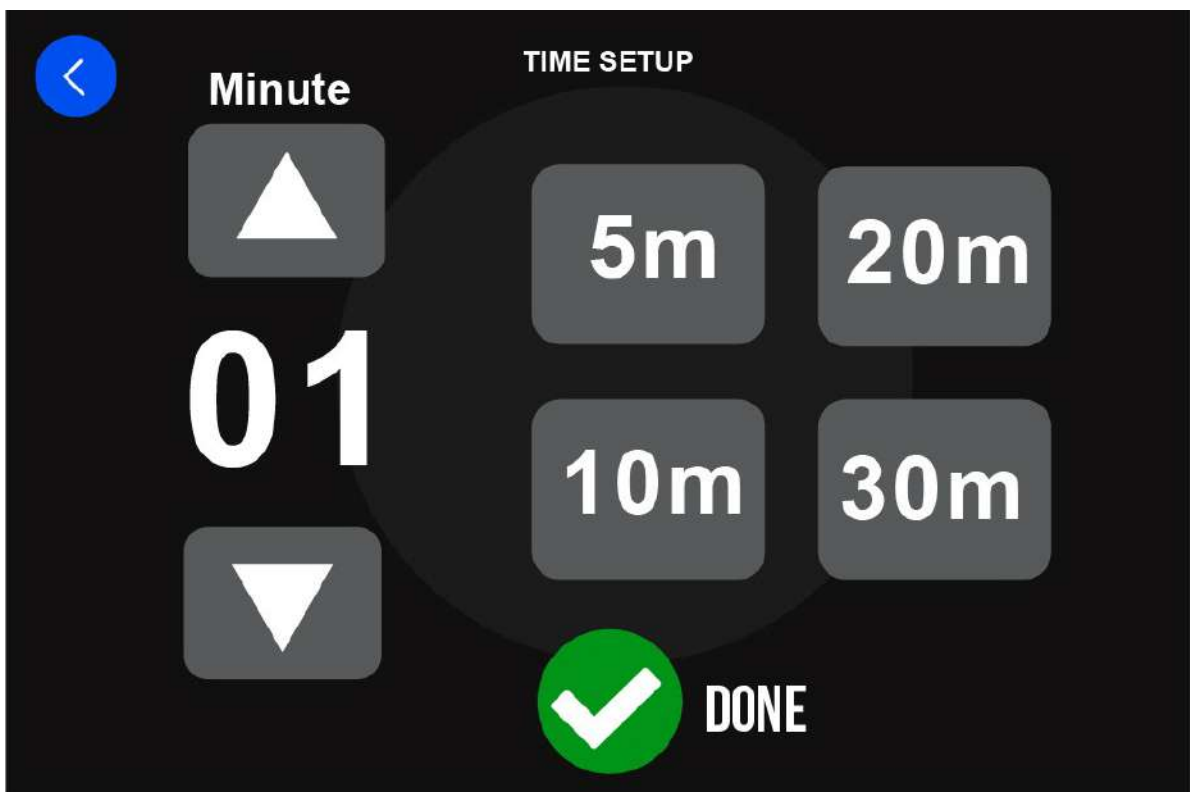
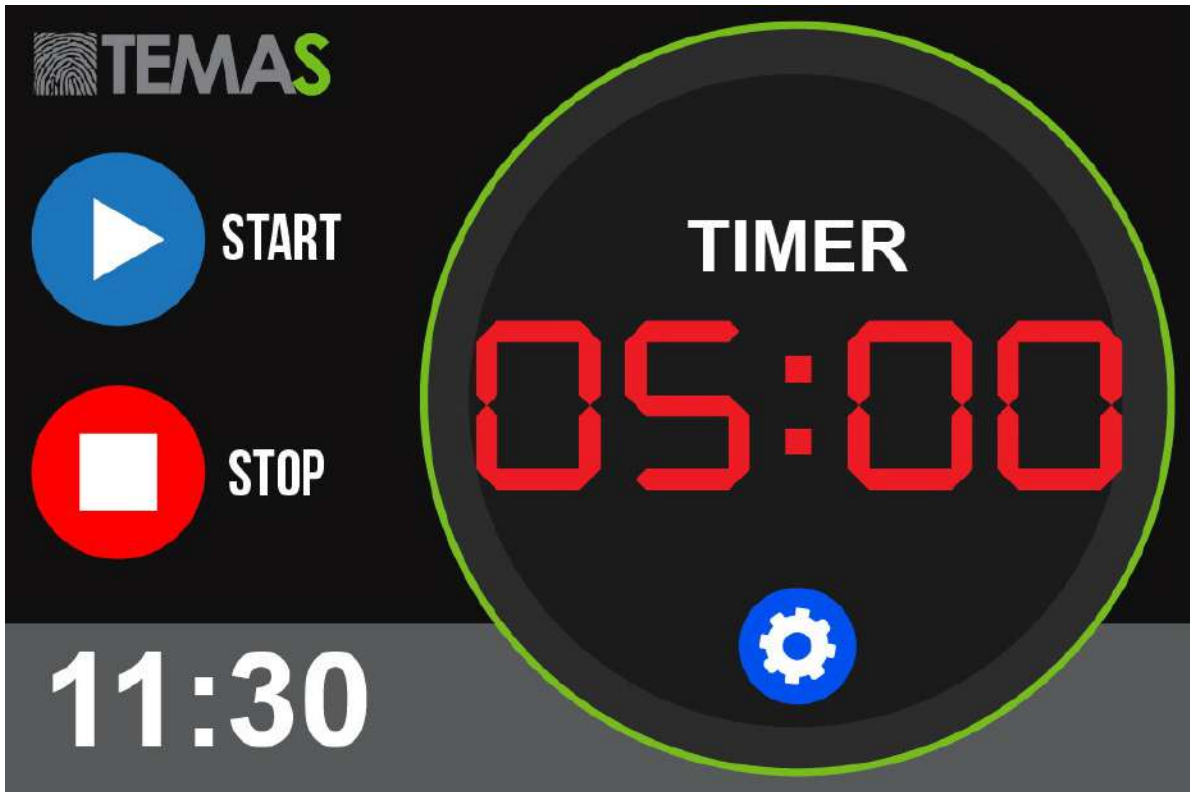


Web Camera



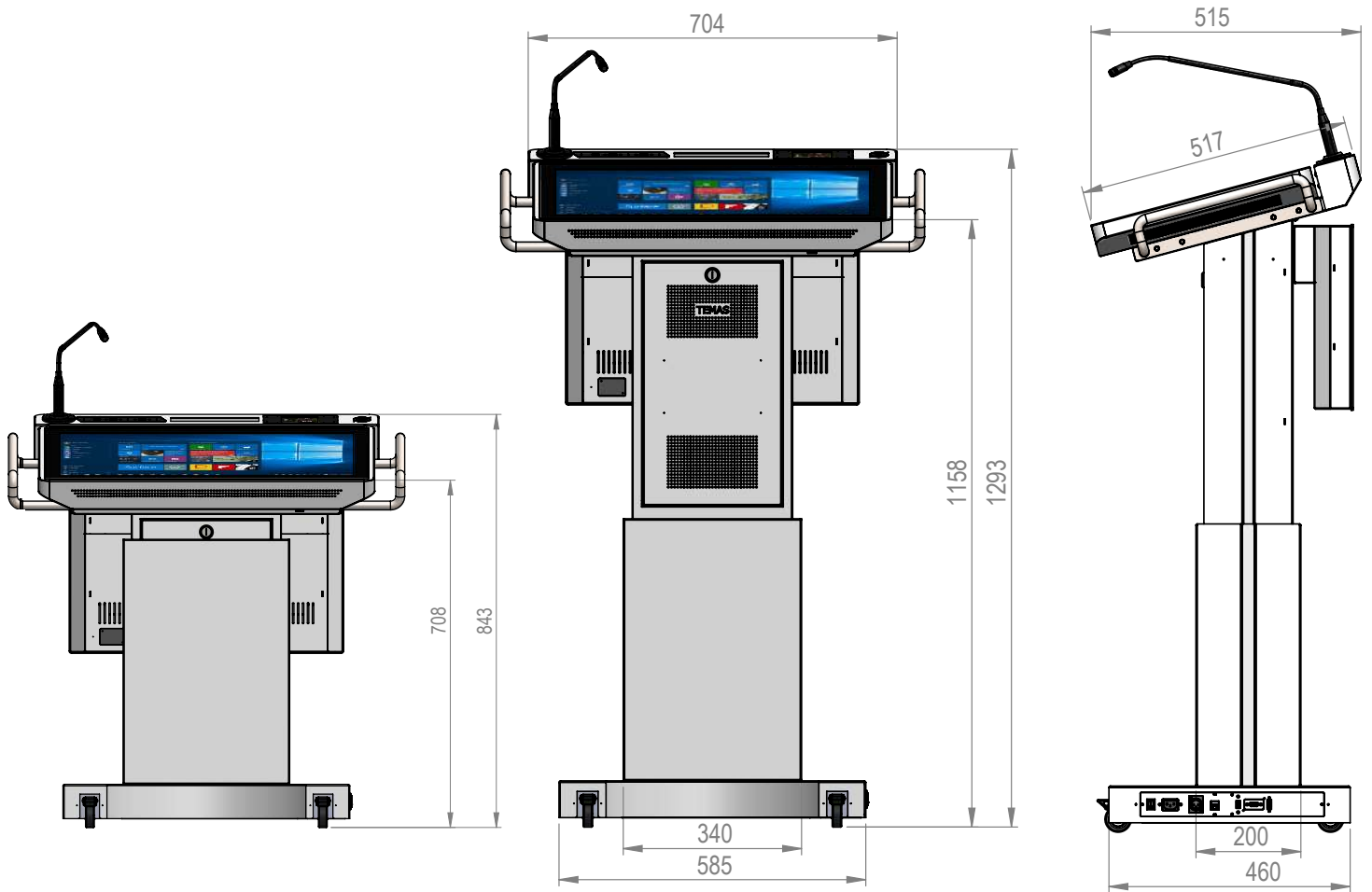
# Application

■ 3,5" Touch screen Timer & Clock





# MECHANICAL SPECIFICATIONS



## ■ Technical specifications

|                                     | DL27M-F                                   |
|-------------------------------------|---|
| <b>■ Front Panel</b>                | 22"                                       |
| Resolution                          | 1920x1080 FHD                             |
| Brightness                          | 250 cd/m2                                 |
| Aspect ratio                        | 16:9                                      |
| Panel Type                          | IPS                                       |
| Built-in Player                     | Available                                 |
| <b>■ Lecturer Panel</b>             |   |
| Screen Specifications               | 22"                                       |
| Resolution                          | 1920x1080                                 |
| Brightness                          | 250 cd/m2                                 |
| Aspect Ratio                        | 16:9                                      |
| Number of Touch Point               | 10 Points Capacitive                      |
| <b>Lecturer Panel PC</b>            |   |
| CPU                                 | Intel Core i3                             |
| RAM                                 | 4 GB DDR4                                 |
| HDD                                 | 120 GB SSD                                |
| Operating System                    | Windows 10 Embedded IoT                   |
| <b>■ Microphone</b>                 |   |
| Length                              | 18"                                       |
| No of microphone                    | 1 pcs                                     |
| Output Connector                    | 3-way XLR(Male)                           |
| Microphone Type                     | Cardioid                                  |
| Frequency Response                  | 50-18 kHz                                 |
| Power ON Indicator                  | LED                                       |
| Power Requirement                   | Phantom Power (48V)                       |
| <b>■ Outputs (Bottom of Podium)</b> |   |
| HDMI                                | Available                                 |
| Ethernet                            | RJ45                                      |
| XLR for microphone                  | 3-way XLR(Male)                           |
| USB                                 | USB 2.0                                   |
| <b>■ Height Adjust Engine</b>       |   |
| Movement                            | Vertical (Up/Down)                        |
| Control                             | By Buttons (Up/Down) and Remote Control   |
| Speed                               | Max speed: 38 mm/s                        |
| Lifting strength                    | 700N                                      |
| Locking System                      | Automatic Locking when engine not working |
| Engine Type                         | Electrical                                |
| <b>■ Mechanical Specs</b>           |   |
| Product dimensions W x D x H        | 515 x 704 x 1293 mm                       |
| Packing dimensions W x D x H        | 515 x 704 x 1293 mm                       |
| Weight(kg)                          | Set: 68 kg Package: 107 kg                |