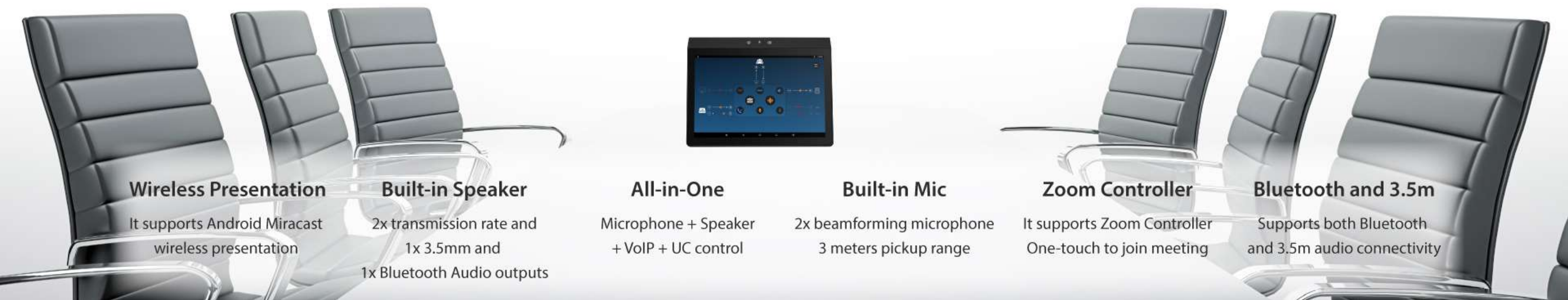


iSpeaker

All-in-One Speakerphone with UC controller

Model: iSpeaker CM800



Wireless Presentation

It supports Android Miracast wireless presentation

Built-in Speaker

2x transmission rate and 1x 3.5mm and 1x Bluetooth Audio outputs

All-in-One

Microphone + Speaker + VoIP + UC control

Built-in Mic

2x beamforming microphone 3 meters pickup range

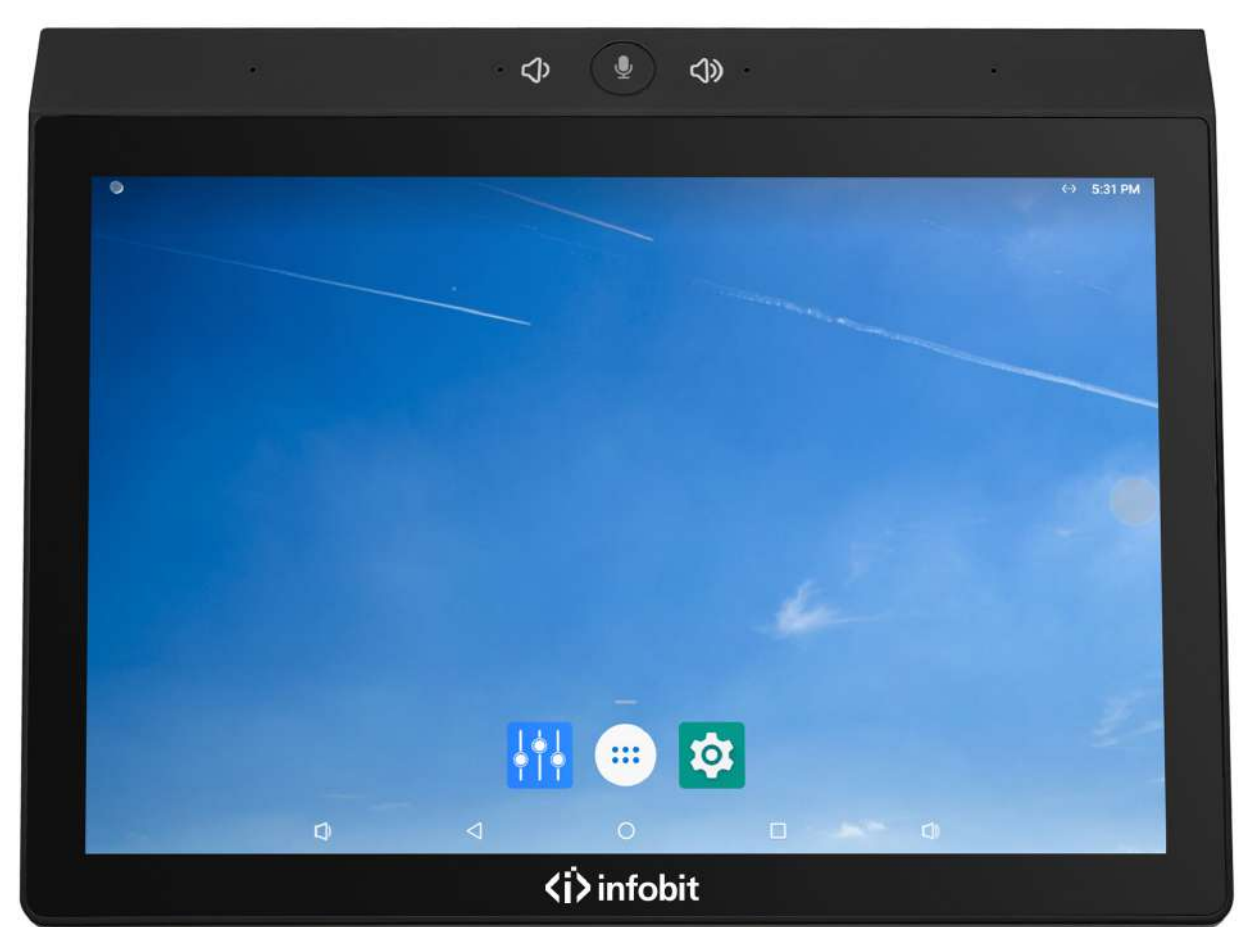
Zoom Controller

It supports Zoom Controller One-touch to join meeting

Bluetooth and 3.5m

Supports both Bluetooth and 3.5m audio connectivity

- All-in-One Design: Microphone and Speaker
- Built-in Audio Console and Status Indicator
- Android 8.1 Tablet with 10.1" Touch Screen
- Bluetooth, Built-in VoIP, 3.5mm Audio, HDMI input
- Zoom Controller support
- Wireless presentation



Zoom Controller

It supports Zoom Controller one-touch join your meeting, without any need of setup.



Work as a Speakerphone

Used as a USB microphone and speaker for a computer or terminal, with the audio 3A

(AEC: Auto Echo Cancellation, AGC: Auto Gain Control, and ANS: Auto Noise Suppression) functions enabled.



Bridge Access

Remote participant can join the meeting through the mobile phone.



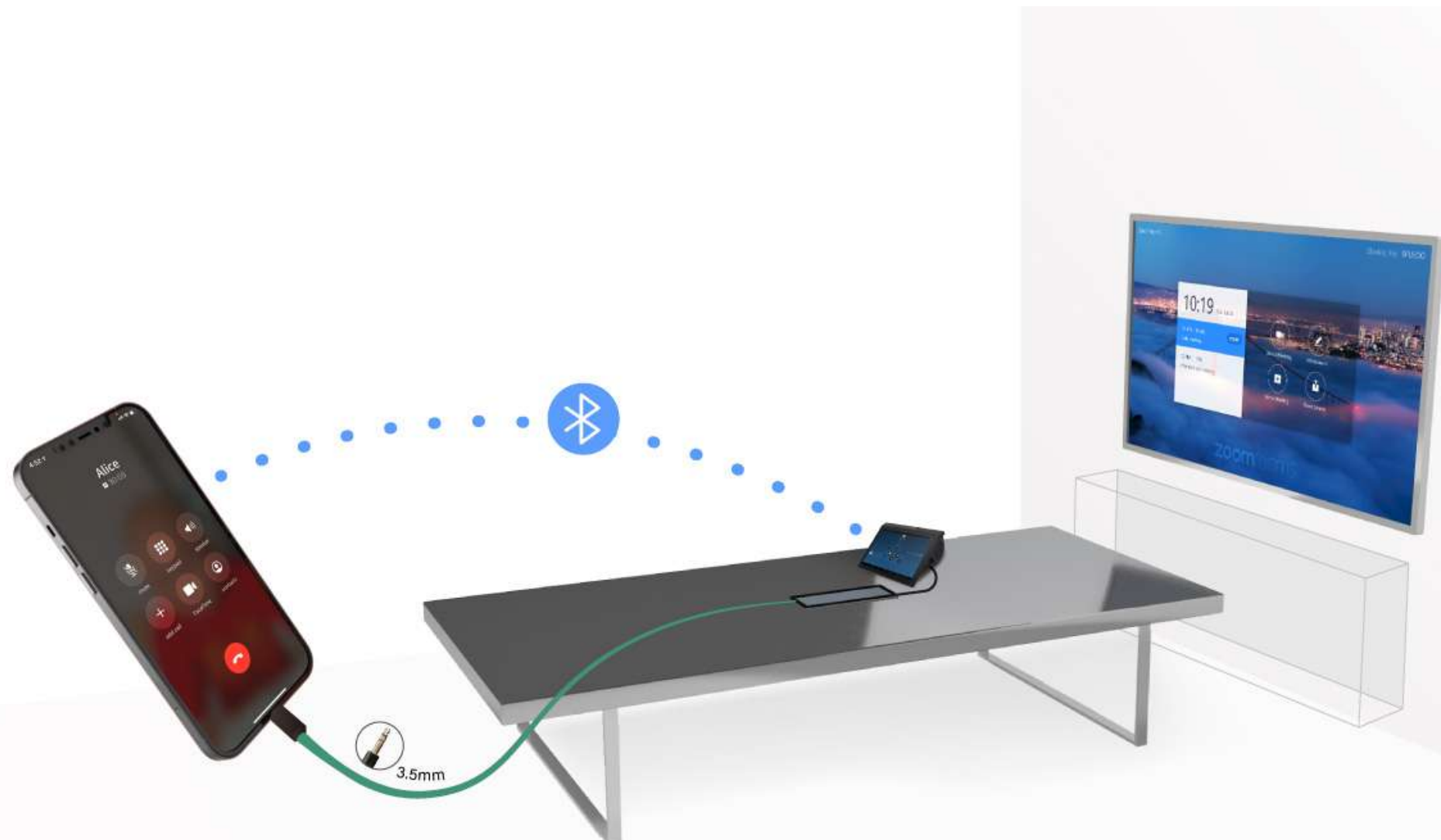
Work with Gooseneck Microphone

This device can be connected to an external gooseneck microphone to achieve simultaneous pickup by the built-in and gooseneck microphone, or gooseneck only.



Work as a Headset

Used as an external microphone and speaker of the mobile phone, greatly increasing the pickup range and playback volume. Two connection methods: 3.5mm interface or Bluetooth.



Wireless presentation

Through the built-in HDMI video preview software and audio routing function of the device, you can also project the PC to the TV screen.

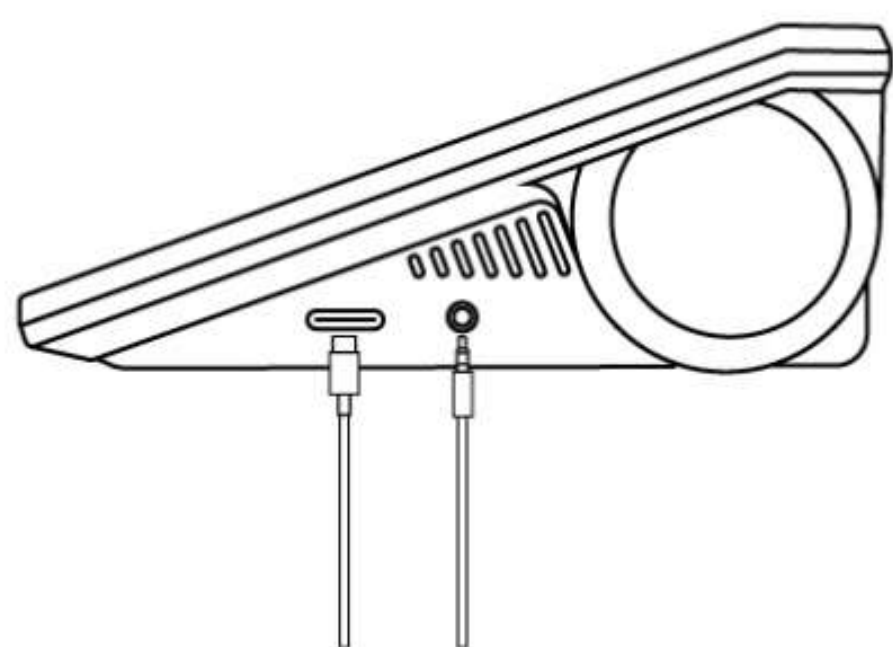


Android OS

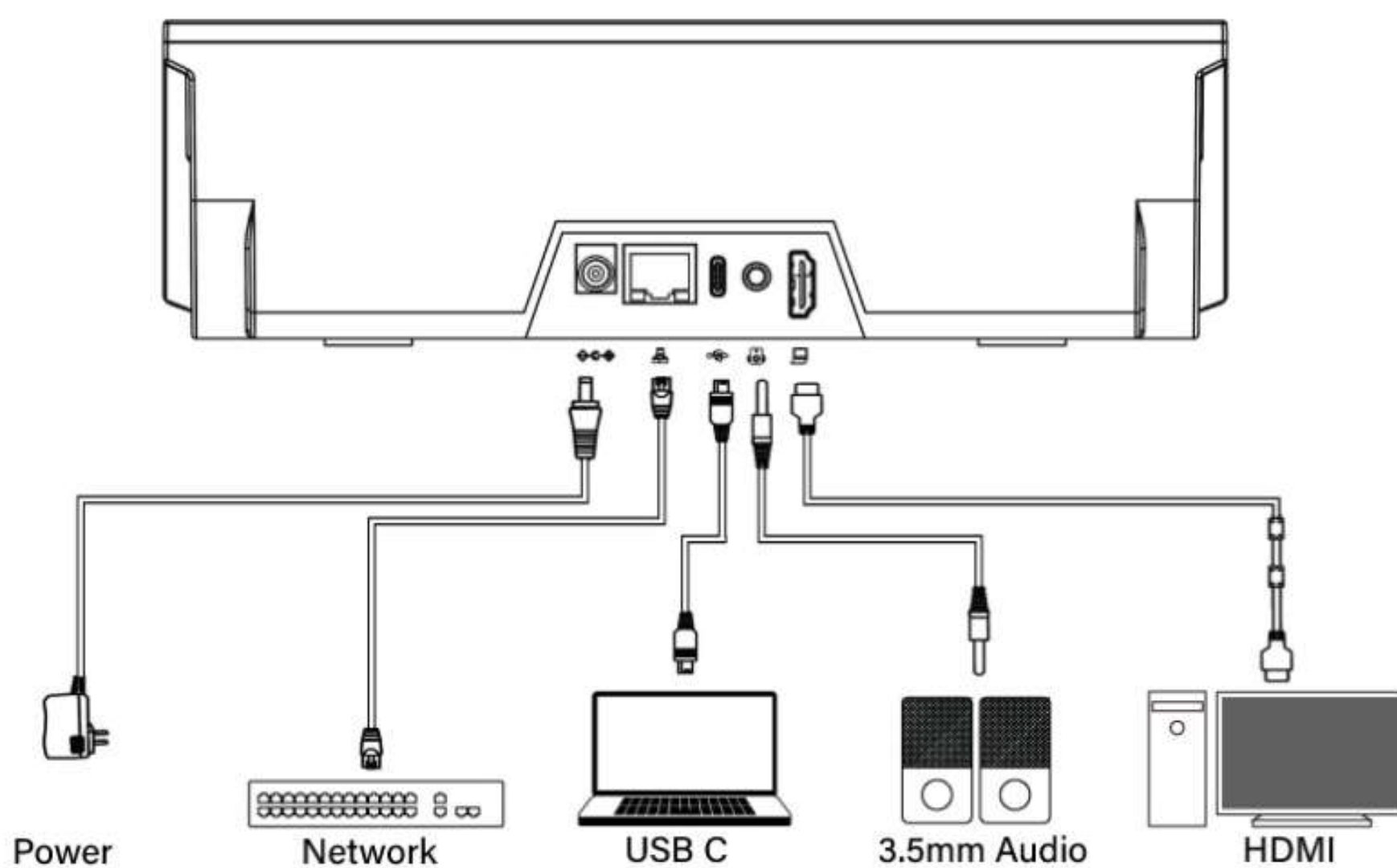
Android 8.1 system, can install application by download apk files.



Diagram



USB C : Extension mic 3.5mm Audio



Power

Network

USB C

3.5mm Audio

HDMI

Datasheet

Model	iSpeaker CM800
Name	All-in-One Speakerphone with UC controller
Package list	<ul style="list-style-type: none"> • touch panel controller x 1 • power adaptor x 1 • power cable x 1 • USB cable x 1 • user manual x 1
Operate System	Android 8.1
CPU	4 x Cortex A35 1.5GHz
GPU	ARM G31-2EE, support OpenGL ES1.1/2.0/3.2
Storage	2GB RAM+8GB EMMC ROM
Screen	10.1 inch, 10 points capacitive touch screen, Resolution: 1280x800
Ethernet	1 x RJ45, 10M/100M Base-T
Wi-Fi (Optional)	IEEE802.11a/b/g/n/ac
Bluetooth (Optional)	BT 5.0
TF card	Max support up to 128GB
Audio in	1x built-in microphone array, pickup radius 3 meters 1x3.5mm audio in (Shared with 3.5mm audio out) 1x Bluetooth audio in, Support HFP Profile Client
Audio out	2x5W built-in speaker 1x3.5mm audio out (Shared with 3.5mm audio in) 1x Bluetooth audio out, Support HFP Profile Client A2DP, AVRCP
Audio features	<ul style="list-style-type: none"> • AEC (Acoustic Echo Cancellation) • AGC (Automatic Gain Control) • ANS (Acoustic Noise Suppression) <ul style="list-style-type: none"> • H.323/SIP VoIP(Optional) • Conference sound recording
Operate System	Windows 7, Windows 8, Windows 10, Mac OS X, Linux, Android
Color system	YUY2 / MJPEG / H.264
Video format	YUY2 (ISOC): max to 640x480P/30, H.264 AVC: max to 1080P@30fps, MJPEG: max to 1080P@30
USB video communication Protocol	UVC 1.1
UVC PTZ control	Support
USB audio communication Protocol	UAC 1.0
Power supply	DC 12V 3A
Internet interface	1x RJ45, 10M/100M Base-T 1x Wi-Fi (Optional), 802.11a/b/g/n/ac
USB port	1x USB2.0 Type C
Video input	1x HDMI
Audio communication	1x3.5mm audio in/out 1x Bluetooth 5.0
Storage interface	1 x TF card slot
Input voltage	12V
Current Consumption	3A (Max)
Power Consumption	36W(Max)
Operating temperature	-10°C ~ 40°C
Storage temperature	-40°C ~ 60°C
Size	244mm x 74mm x176mm



www.osf-av.com



commercial@osf-av.fr



01 85 11 06 65

