

VSM652

SWING ARM WALL MOUNT

FOR 30-47" SCREENS

The VSM652 swing arm wall mount is dedicated to screens ranging from 30" to 47". This mount is made of aluminum arms with cables routed inside to ensure smart installation and aesthetic appearance. The design is adapted to frequent changes in the position of the screen, so it is a perfect solution for places where the position of screens is often changed. VSM652 has the possibility of rotating the screen to the right and to the left by 65° and tilting the screen by +11°, which allows the position of the screen to be adjusted the user's expectations and increases the comfort of use.



FEATURES

- Modern design and aesthetic finish of the wall mount
- 65°/65° right-left screen rotation
- Possibility of tilting the screen +11°
- Durable aluminum structure
- Cable routed inside the arm
- VESA universal standard

PRODUCT SPECIFICATIONS

Short index	VSM652
Category	Swing Arms Wall Mounts
Product group	Display Mounts
Colour	Black
Warranty	Limited 5-years
Number of screens	1
Minimum screen size	30"
Maximum screen size	47"
Maximum load	36 kg
Forward tilting	+11°
VESA Mounting Compatibility	100×100 up to 600×400



30"-47"



100x100
600x400



0/+11°



36 kg



65°/65° right-left screen rotation



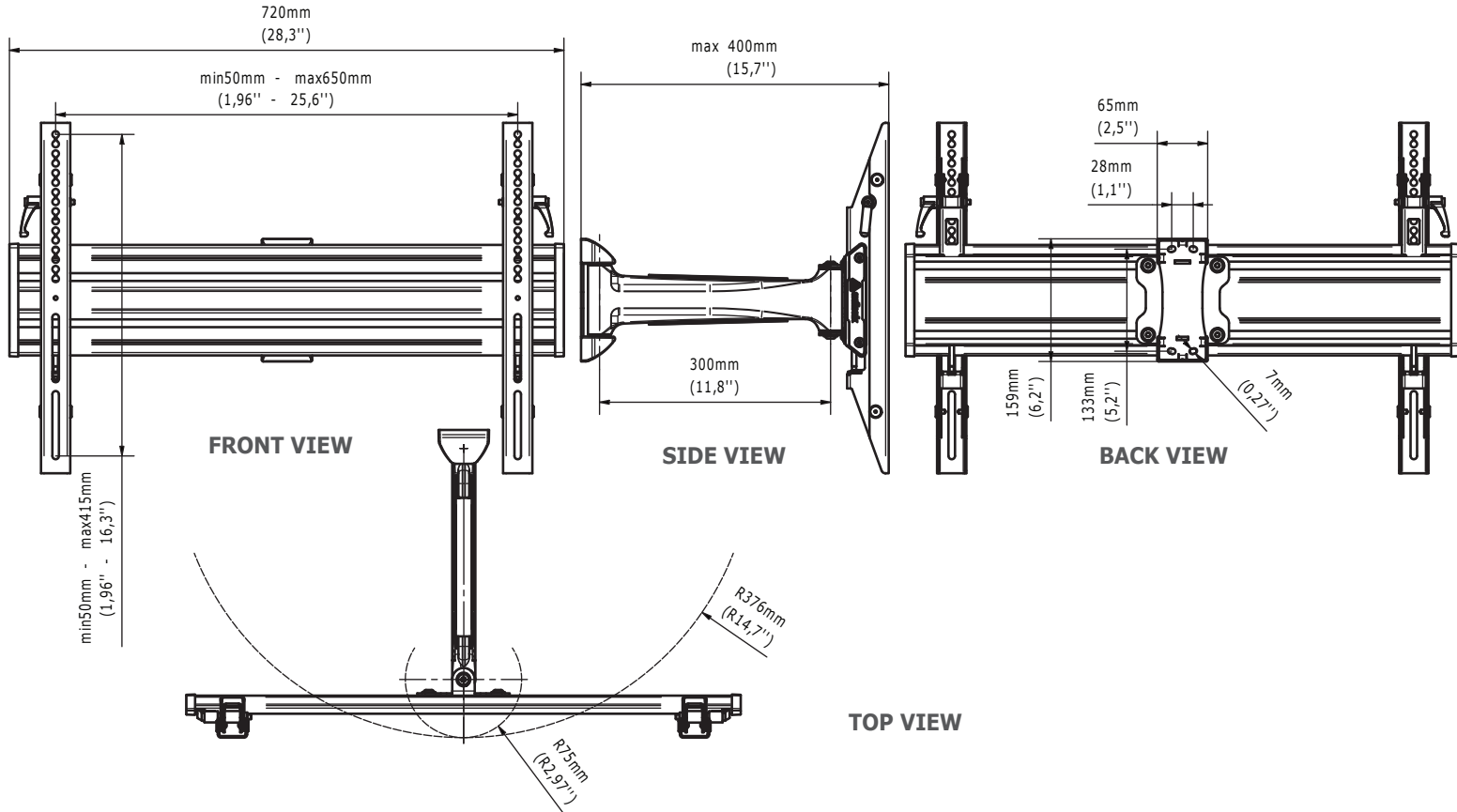
Possibility of tilting the screen +11°



Cable routed inside the arm



VESA universal standard


TECHNICAL SPECIFICATIONS

Product dimensions	W: 400 mm D: 720 mm H: 455 mm (W:15,75" D:28,35" H:17,91")
Product weight	6,4 kg (14 lb)
Max. distance from mounting surface	400 mm (15,75")
Min. distance from mounting surface	100 mm (3,94")
Max. mounting pattern	650 mm x 415 mm
Min. mounting pattern	50 mm x 50 mm

LOGISTICS DATA

SAP INDEX	EAN CODE	COLOUR	PACKAGE DIMENSIONS	PACKAGE WEIGHT
WUSC-VSM652	5902841111875	BLACK	760 x 255 x 75 mm 29,92 x 10,04 x 2,95"	7 kg 15 lb

HS Code (Harmonized System): 732690, HTS Code (Harmonized Tariff Schedule): 7326909890, Country of Origin: Poland

ACCESSORIES AND RELATED PRODUCTS


VSM651



VSM653



VSM654



PWS1

2021 - EDBAK Sp. z o.o. All rights reserved.
 The information included in the specification reflects the current technical specifications at the time of printing. We reserve the right to modify technical or physical specifications without prior notice. EDBAK name and EDBAK logo are registered trademarks of EDBAK Sp. z o.o. All EDBAK images and symbols are sole property of EDBAK Sp. z o.o. Edbak shall not be held liable for any loss or damage caused by incorrect installation or mounting. Copying this specification in whole or in part is only allowed after obtaining written consent from EDBAK Sp. z o.o.
 VSM652-211001-EN