

VWFX65-L

FIXED VIDEO WALL MOUNT

FOR 42"-65" SCREENS, LANDSCAPE

VWFX65-L is a professional video wall mount with multi-point micro-adjustment of the screen position allowing smooth alignment of screens without the use of tools. Unlike compatible VWPOP65-L and VWFS65-L products, it does not have any retractable mechanism and is often used to install screens on external, more accessible, sides of video walls where the retractable function is not needed. The open design of the product together with full access to wiring, cable ties and dedicated spacers provide easy access for installation and safe servicing. VWFX65-L is perfect for public areas or shopping centres. It will guarantee high image quality wherever there is a need for effective and, at the same time, eye-catching communication with the audience.



FEATURES

- The mount is designed for the installation of video walls
- Mounting holes and carefully selected spacers eliminate the need for calculations on site
- Independent 8-point adjustment allows precise alignment of screens without the use of tools
- The anti-theft padlock enhances safety of the installation in public areas
- The modular design allows the installation of video walls in any configuration, compatible with VWPOP and VWFS products

PRODUCT SPECIFICATIONS

Short index	VWFX65-L
Category	Video Wall Mounts
Product group	Video Wall & Menu Board Mounts
Colour	Black
Warranty	Limited 5-years
Minimum screen size	42"
Maximum screen size	65"
Maximum load	60 kg
VESA Mounting Compatibility	100x100 up to 600x400



42"-65"



100x100
600x400



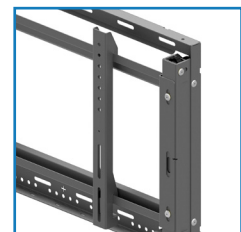
60 kg



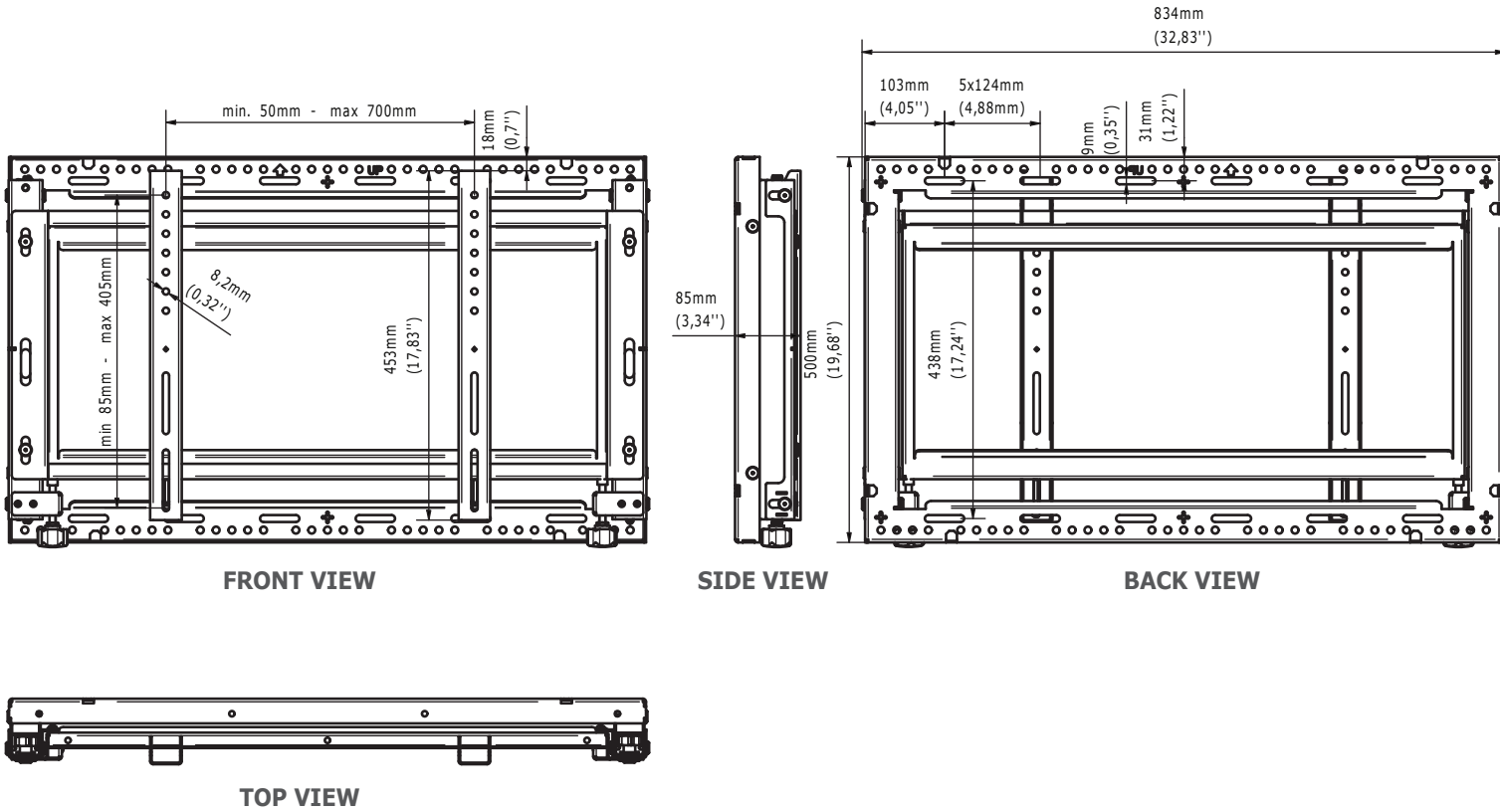
Securing the screen against falling with screws



Minimalistic design and functionality



Wide range of VESA mounting standards



TECHNICAL SPECIFICATIONS

Product dimensions	W: 834 mm D: 85 mm H: 500 mm (W:32,83" D:3,35" H:19,69")
Product weight	11 kg (24 lb)
Max. distance from the surface	100 mm (3,94")
Min. distance from the surface	85 mm (3,35")
Max. mounting pattern	630 mm x 405 mm
Min. mounting pattern	50 mm x 85 mm

LOGISTICS DATA

SAP INDEX	EAN CODE	COLOUR	PACKAGE DIMENSIONS	PACKAGE WEIGHT
WUSC-VVFX65-L	5908252968558	BLACK	890 x 735 x 110 mm 35,04 x 28,94 x 4,33"	12,5 kg 28 lb

HS Code (Harmonized System): 732690, HTS Code (Harmonized Tariff Schedule): 7326909890, Country of Origin: Poland

ACCESSORIES AND RELATED PRODUCTS



VVFX65-P



VVFX95-L



VVFS65-L



VVPOP65-L