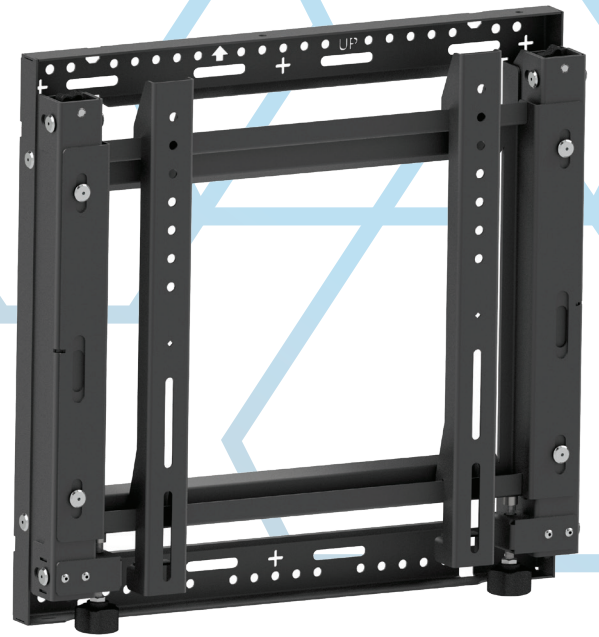


VWFX65-P

FIXED VIDEO WALL MOUNT

FOR 42"-65" SCREENS, PORTRAIT



Safety
Regular
Production
Surveillance



www.tuv.com
ID 0000080352

Professional VWFX65-P video wall mount with multi-point micro-adjustment of the screen position allowing smooth alignment of screens without the use of tools. Unlike compatible VWPOP65-P and VWFS65-P products, it does not have any retractable mechanism and is often used to install screens on external, more accessible, sides of video walls where the retractable function is not needed. The open design of the product together with full access to wiring, cable ties and dedicated spacers provide easy access for installation and safe servicing. VWFX65-P is perfect for public areas or shopping centres. It will guarantee high image quality wherever there is a need for effective and, at the same time, eye-catching communication with the audience.

FEATURES

- The mount is designed for the installation of video walls
- Mounting holes and carefully selected spacers eliminate the need for calculations on site
- Independent 8-point adjustment allows precise alignment of screens without the use of tools
- The anti-theft padlock enhances safety of the installation in public areas
- The modular design allows the installation of video walls in any configuration, compatible with VWPOP and VWFS products

PRODUCT SPECIFICATIONS

Short index	VWFX65-P
Category	Video Wall Mounts
Product group	Video Wall & Menu Board Mounts
Colour	Black
Warranty	Limited 5-years
Minimum screen size	42"
Maximum screen size	65"
Maximum load	60 kg
VESA Mounting Compatibility	100x100 up to 600x400



42"-65"



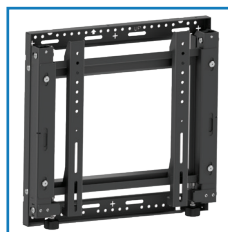
100x100
600x400



60 kg



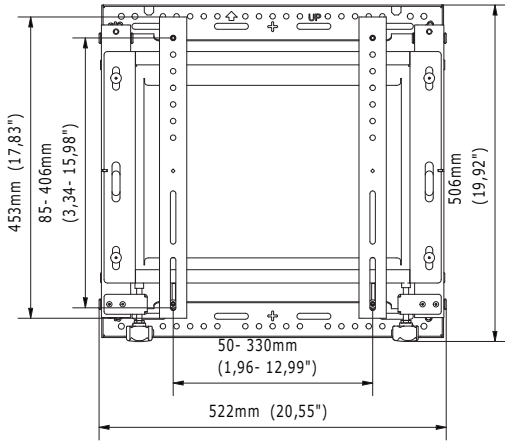
Securing the screen against falling with screws



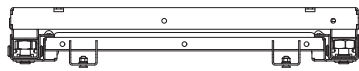
Minimalistic design and functionality



Wide range of VESA mounting standards

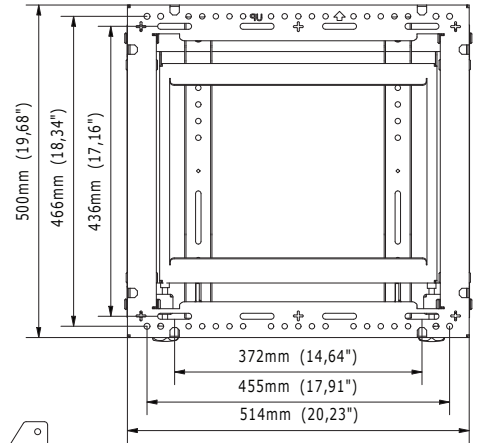
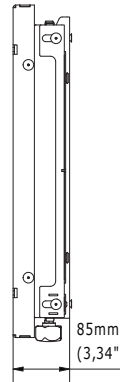


FRONT VIEW

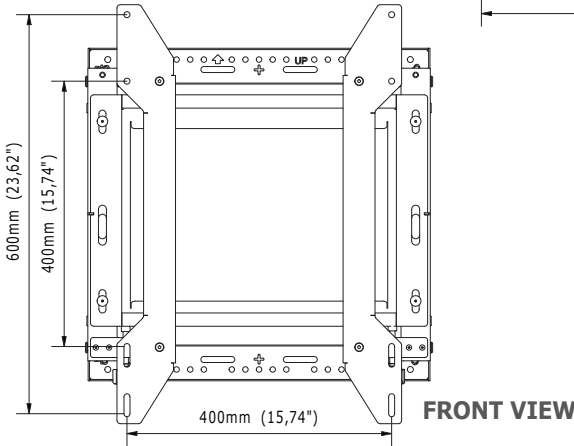


TOP VIEW

SIDE VIEW



REAL VIEW



FRONT VIEW

TECHNICAL SPECIFICATIONS

Product dimensions	W: 522 mm D: 85 mm H: 630 mm (W:20,55" D:3,35" H:24,80")
Product weight	11,3 kg (25 lb)
Max. distance from the surface	100 mm (3,94")
Min. distance from the surface	85 mm (3,35")
Max. mounting pattern	600 mm x 400 mm
Min. mounting pattern	85 mm x 50 mm

LOGISTICS DATA

SAP INDEX	EAN CODE	COLOUR	PACKAGE DIMENSIONS	PACKAGE WEIGHT
WUSC-VVFX65-P	5908252968602	BLACK	880 x 560 x 110 mm 34,65 x 22,05 x 4,33"	12,5 kg 28 lb

HS Code (Harmonized System): 732690, HTS Code (Harmonized Tariff Schedule): 7326909890, Country of Origin: Poland

ACCESSORIES AND RELATED PRODUCTS



VVFX65-L



VVFS65-P



VVPOP65-P



VVFX95-P

2021 - EDBAK Sp. z o.o. All rights reserved.
The information included in the specifications reflects the current technical specifications at the time of printing. We reserve the right to modify technical or physical specifications without prior notice. EDBAK name and EDBAK logo are registered trademarks of EDBAK Sp. z o.o. All EDBAK images and symbols are sole property of EDBAK Sp. z o.o. Edbak shall not be held liable for any loss or damage caused by incorrect installation or mounting. Copying this specification in whole or in part is only allowed after obtaining written consent from EDBAK Sp. z o.o.
VVFX65-P-210601-EN