

# VWPOP95-P

**VIDEO WALL POP-OUT MOUNT  
WITH QUICK RELEASE**  
FOR 70"-95" SCREENS, PORTRAIT

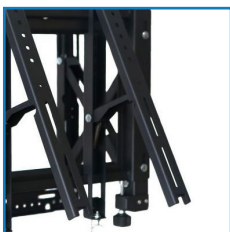
VWPOP95-P is a professional pop-out mount designed to build portrait video walls. The open design allows full access to cabling, and the included ties are used to hide the cables easily and aesthetically. Independent 8-point adjustment allows precise alignment of screens without the use of tools. Special retractable system for easy access for service purposes. VWPOP95-P is equipped with a lock to prevent uncontrolled structure opening.

## FEATURES

- Independent 8-point adjustment allows precise alignment of screens without the use of tools
- The retractable mechanism provides convenient service access to screens installed in recesses and places difficult to access for service purposes
- 20° tilt of the screen with the mount open increases access to the back of the screen from the bottom.
- The retractable mechanism can be secured with a lock screw to prevent the screen from being accidentally extended
- The open design of the product provides full access to cabling, and the supplied ties facilitate cable management
- Mounting holes and carefully selected spacers eliminate the need for calculations on site
- Adjustment of the retractable mechanism spring enables proper adjustment for screens of different masses to obtain safe and controlled extension

## PRODUCT SPECIFICATIONS

Short index	VWPOP95-P
Category	Video Wall Mounts
Product group	Video Wall & Menu Board Mounts
Colour	Black
Warranty	Limited 5-years
Minimum screen size	70"
Maximum screen size	95"
Maximum load	130 kg
Forward tilting	+20°
VESA Mounting Compatibility	100x100 up to 600x600



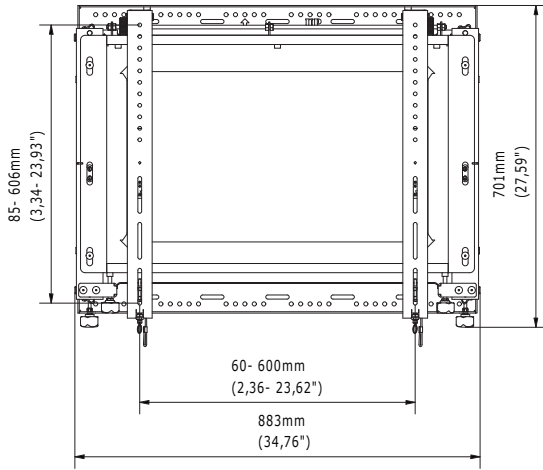
Securing the screen against falling with screws



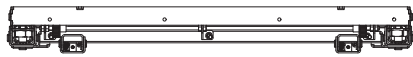
Minimalistic design and functionality



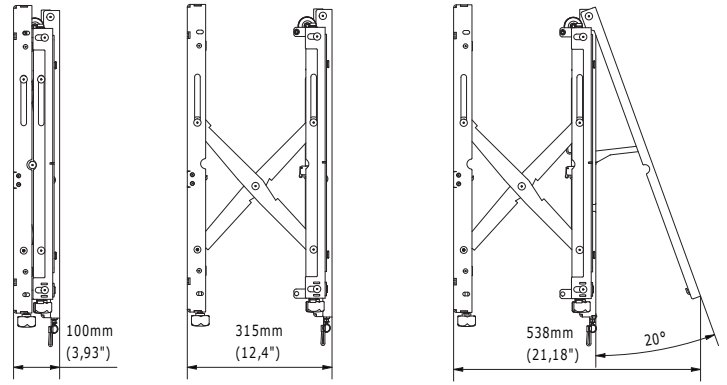
Wide range of VESA mounting standards



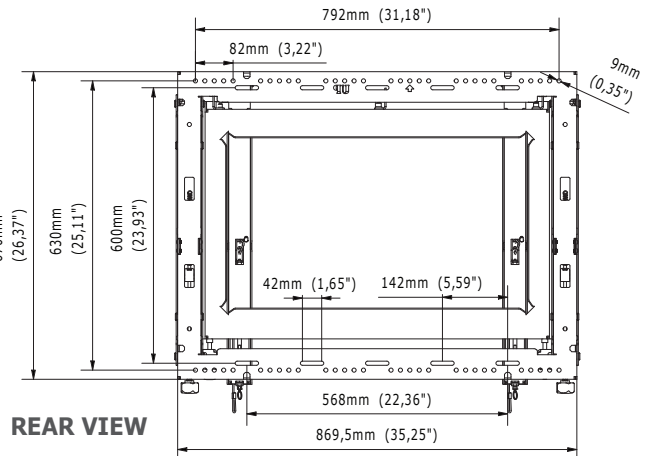
**FRONT VIEW**



**TOP VIEW**



**SIDE VIEW**



**REAR VIEW**

## TECHNICAL SPECIFICATIONS

Product dimensions	W: 883 mm D: 100 mm H: 701 mm (W:34,76" D:3,94" H:27,60")
Product weight	30,5 kg (67 lb)
Max. distance from the surface	315 mm (12,40")
Min. distance from the surface	100 mm (3,94")
Max. mounting pattern	600 mm x 606 mm
Min. mounting pattern	60 mm x 85 mm

## LOGISTICS DATA

SAP INDEX	EAN CODE	COLOUR	PACKAGE DIMENSIONS	PACKAGE WEIGHT
WUSC-VWPOP95-P	5908252968138	BLACK	1100 x 890 x 110 mm 43,31 x 35,04 x 4,33"	32,5 kg 72 lb

HS Code (Harmonized System): 732690, HTS Code (Harmonized Tariff Schedule): 7326909890, Country of Origin: Poland

## ACCESSORIES AND RELATED PRODUCTS



VVPOP95-L



VVWFS95-P



VVWFX95-P



VVWPOP65-P