



	File No.	RD-I-20-017
	Version	1.0
WP210-T User Manual	Effective Date	2020-01-02
	Page	2 / 11

# HDBaseT Wall-plate Transmitter (2-Gang US Decora)

Model: WP210-T



**User Manual**

**VER 1.0**

	File No.	RD-I-20-017
	Version	1.0
WP210-T User Manual	Effective Date	2020-01-02
	Page	3 / 11

## Thank you for purchasing this product

For optimum performance and safety, please read these instructions carefully before connecting, operating or adjusting this product. Please keep this manual for future reference.

## Surge protection device recommended

This product contains sensitive electrical components that may be damaged by electrical spikes, surges, electric shock, lightning strikes, etc. Use of surge protection systems is highly recommended in order to protect and extend the life of your equipment.

## Table of Contents

<b>1. Introduction.....</b>	<b>4</b>
<b>2. Features .....</b>	<b>4</b>
<b>3. Package Contents .....</b>	<b>4</b>
<b>4. Specifications.....</b>	<b>5</b>
<b>5. Operation Controls and Functions.....</b>	<b>6</b>
<b>5.1 Front panel .....</b>	<b>6</b>
<b>5.2 Rear panel.....</b>	<b>7</b>
<b>5.3 Side panel .....</b>	<b>8</b>
<b>5.4 Dimension of Panel .....</b>	<b>8</b>
<b>6. Application Example .....</b>	<b>11</b>

	File No.	RD-I-20-017
	Version	1.0
WP210-T User Manual	Effective Date	2020-01-02
	Page	4 / 11

## 1. Introduction

The HDBaseT Wall-plate Transmitter supports HDMI and VGA with audio inputs within a standard 2-Gang US Decora wall box. It offers 4K2K@60Hz (4:4:4) content and HD audio over a single CAT6/6a/7 cable up to 330ft/100m. Auto-switching allows user to plug-in and play. Built-in two-way IR, RS-232 and USB transmissions for easy device control.

## 2. Features

- ☆ HDMI 2.0b 18Gbps, HDCP 2.2 compliant
- ☆ Up to 4K2K@60Hz(4:4:4), 4K2K@30Hz, 1080p@120Hz
- ☆ Up to 7.1 channels HD audio
- ☆ HDBaseT™ over a single CAT6/6a/7 cable up to 330ft/100m distance
- ☆ Built-in scaling for VGA input
- ☆ Automatic and manual switching modes
- ☆ Two-way IR, RS-232 and USB supported
- ☆ 2-Gang US Decora Wall Plate
- ☆ 24V POC is supported

## 3. Package Contents

- ① 1x 18G HDMI Wall Plate Transmitter
- ② 1x Phoenix connector(3pins)
- ③ 1x Phoenix connector(2pins)

	File No.	RD-I-20-017
	Version	1.0
WP210-T User Manual	Effective Date	2020-01-02
	Page	5 / 11

- ④ 1x Wideband IR RX
- ⑤ 1x Wideband IR TX
- ⑥ 1x User Manual

## 4. Specifications

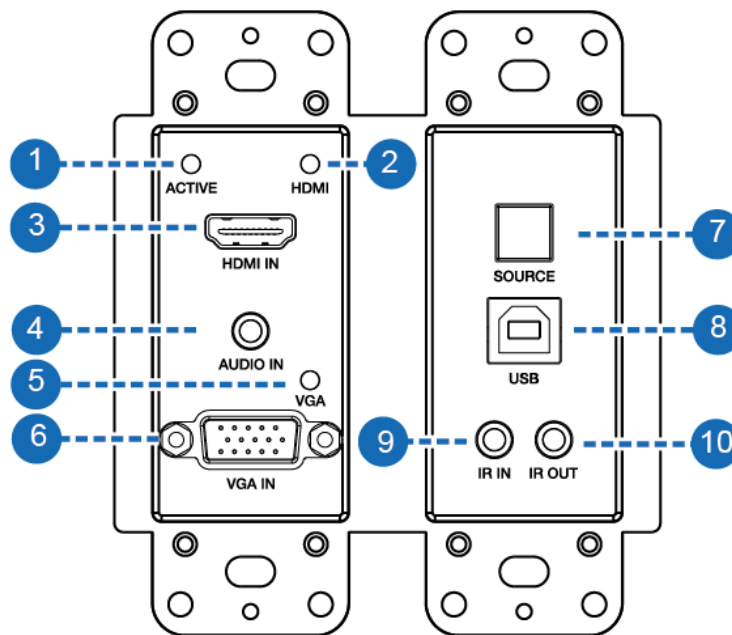
Technical	
HDMI Compliance	HDMI 2.0b
HDCP Compliance	HDCP 2.2
Video Bandwidth	18 Gbps
HDMI Video Resolution	4K2K@50/60Hz 4:4:4 (max)
Color Space	RGB/YCbCr 4:4:4, YCbCr 4:2:2
Color Depth	10-bit, 12-bit
HDMI Audio Formats	LPCM, Dolby Digital/Plus/EX, Dolby True HD, DTS, DTS-EX, DTS-96/24, DTS High Res, DTS-HD Master Audio, DSD
VGA Video Resolution	1080P@50/60Hz 4:4:4 (max)
ESD Protection	Human body model— $\pm 8\text{kV}$ (Air-gap discharge) & $\pm 4\text{kV}$ (Contact discharge)
Connections	
Transmitter	Inputs: <ul style="list-style-type: none"> <li>1x HDMI Type A [19-pin female]</li> <li>1x VGA [15-pin female]</li> <li>1x USB [USB-B]</li> <li>1x IR IN [Phoenix jack]</li> <li>1x RS-232 [Phoenix jack]</li> <li>1x AUDIO IN [3.5mm Stereo Mini-jack]</li> </ul> Outputs: <ul style="list-style-type: none"> <li>1x HDBaseT Out [RJ45]</li> <li>1x IR OUT [Phoenix jack]</li> </ul>
Mechanical	
Housing	Plastic Enclosure
Color	White
Dimensions	91.8mm [W] x 104.8mm [D] x 43mm [H]
Weight	212.5g
Power Supply	Input: AC100 - 240V 50/60Hz Output: DC 24V/1A (US/EU standards, CE/FCC/UL certified)
Power Consumption	6W (Max)
Operating Temperature	32 - 104° F / 0 - 40° C

Storage Temperature	-4 - 140° F / -20 - 60° C
---------------------	---------------------------

Relative Humidity	20 - 90% RH (no condensation)
-------------------	-------------------------------

## 5. Operation Controls and Functions

### 5.1 Front panel

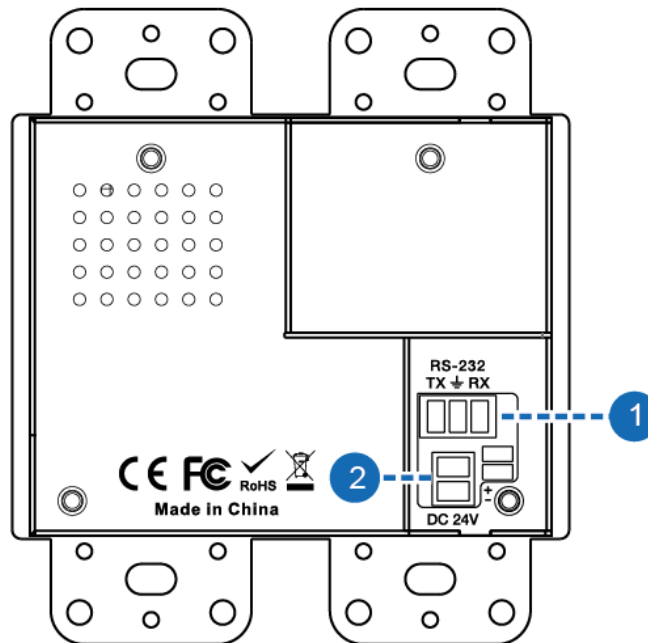


Number	Name	Function description
1	ACTIVE	Signal status indicator. The LED will illuminate green when the HDMI port or the VGA port have signal source input.
2	HDMI LED	The HDMI input signal indicator. The LED will illuminate green when the SOURCE button have selected input signal from the HDMI port.
3	HDMI IN	Connect to HDMI source devices such as Blu-ray or PS4 player.
4	AUDIO IN	The VGA audio input port.
5	VGA LED	The VGA input signal indicator. The LED will illuminate green when the SOURCE button have selected input signal from the VGA port.
6	VGA IN	The VGA input port.
7	SOURCE button	Manual switching button.

	File No.	RD-I-20-017
	Version	1.0
WP210-T User Manual	Effective Date	2020-01-02
	Page	7 / 11

8	USB	USB host port.
9	IR IN	Receiving the remote control signal and sending it to Receiver side
10	IR OUT	Sending the remote control signal from Receiver side.

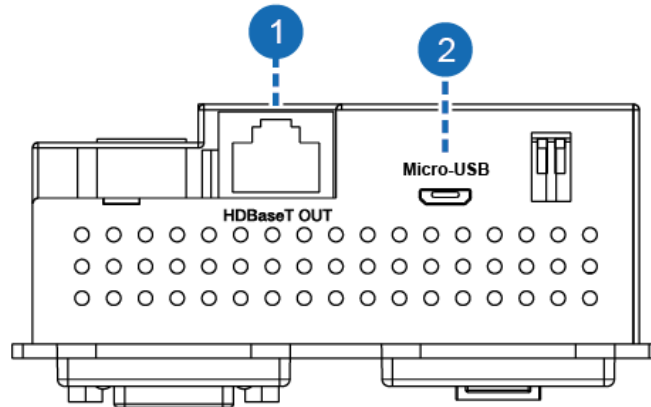
## 5.2 Rear panel



Number	Name	Function description
1	RS-232	Use the phoenix jack for connect PC or control system to transmit RS-232 commands.
2	DC 24V	Use the phoenix jack for connect power supply.

	File No.	RD-I-20-017
	Version	1.0
WP210-T User Manual	Effective Date	2020-01-02
	Page	8 / 11

### 5.3 Side panel



Number	Name	Function description
1	HDBaseT OUT	HDBaseT output port. Connect HDBaseT receiver with a UTP cable.
2	Micro-USB	For firmware update.

### 5.4 Dimension of Panel

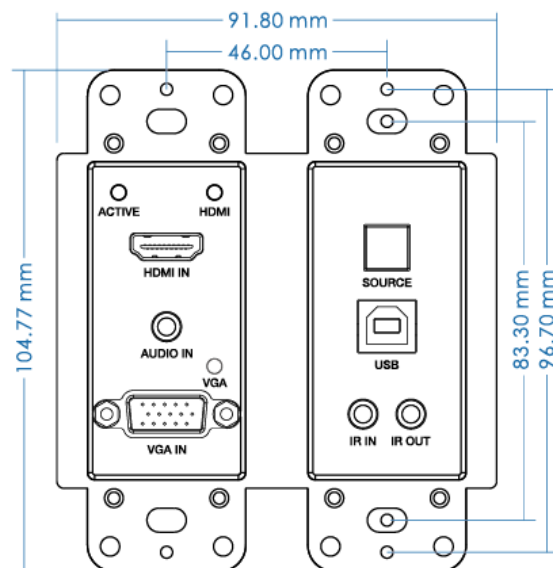


Figure 1 Front panel



	File No.	RD-I-20-017
	Version	1.0
WP210-T User Manual	Effective Date	2020-01-02
	Page	9 / 11

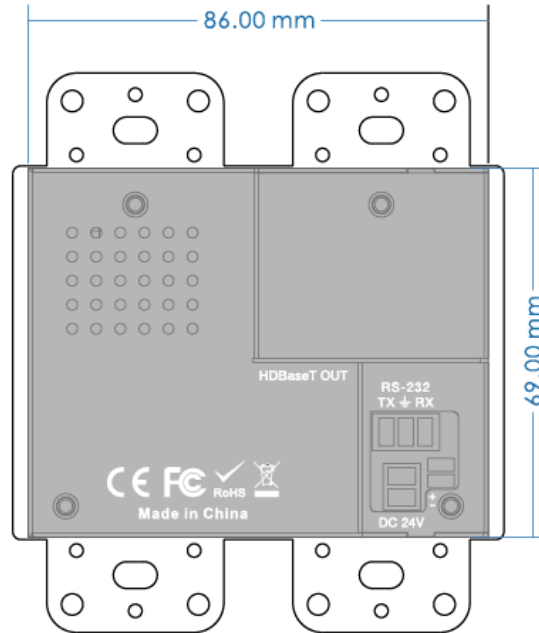


Figure 2 Rear panel

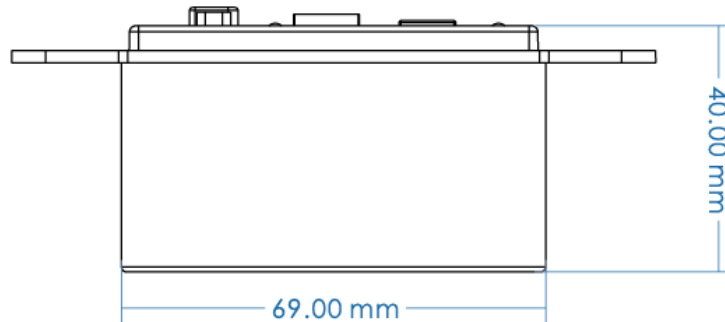
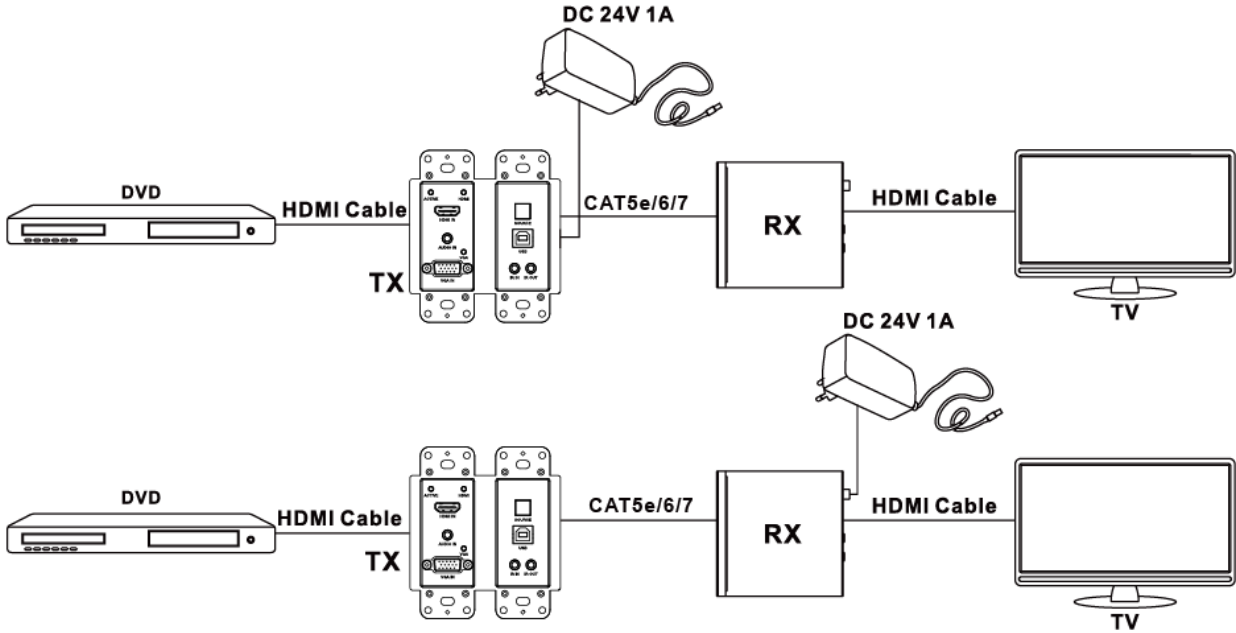


Figure 3 Side panel

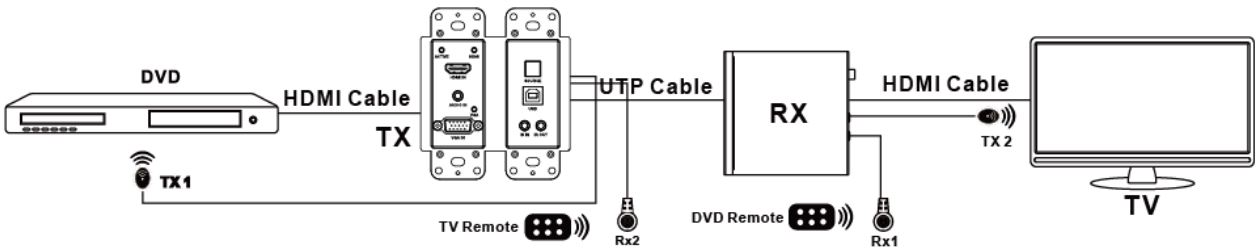
※ Description 1

POC (Power over Cable) Application Example



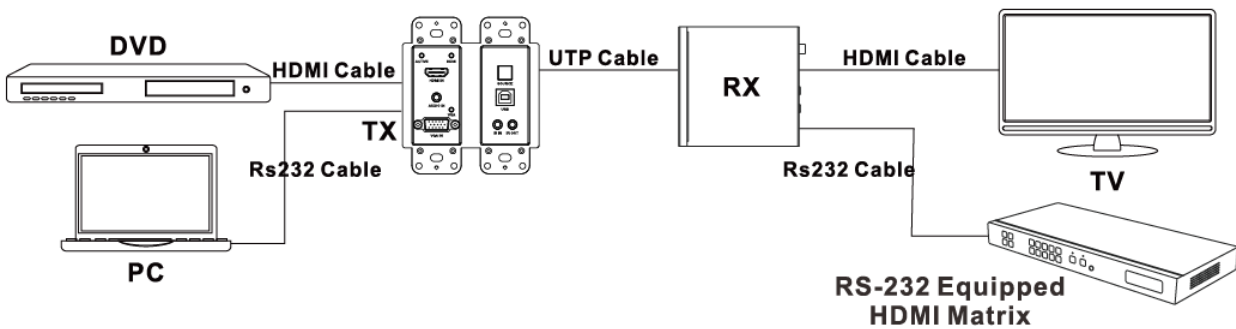
※ Description 2

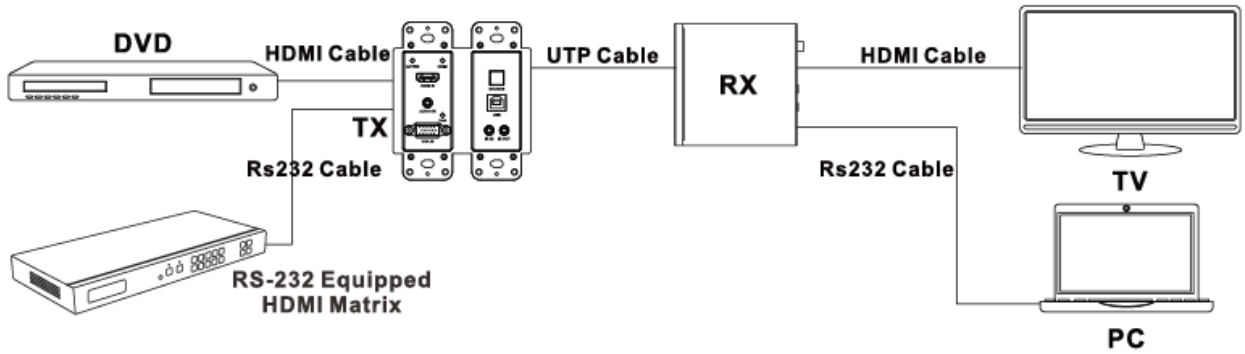
Bidirectional Infrared control Application Example



※ Description 3

Bidirectional RS-232 control Application Example





## 6. Application Example

