

SV03

DESKTOP DOUBLE ARM MOUNT

FOR 10"-29" SCREENS

The SV03 desk mount with a double arm for 19"-27" screens is a solution for those who value ergonomics when working with a computer. Full height adjustment combined with 360° arm rotation allows you to position the screen to suit the user's individual needs and ensures excellent comfort during office work. Two types of desk fastenings are suitable for any installation, increasing the functionality of the mount. SV03 is a perfect choice for those performing any work with full-day use of screens, including in the industry, transport and monitoring centres. This mount is perfect for users who appreciate both functionality and aesthetics of design.

FEATURES

- Full height adjustment
- Option of screen tilting by -50° to +50°
- 360° arm rotation
- 2 types of desk fastenings included
- Cable management system
- Modern design
- Simple and quick installation

PRODUCT SPECIFICATIONS

Short index	SV03
Category	Desktop Monitor Mounts
Product group	Display Mounts
Colour	Black
Warranty	Limited 5-years
Number of screens	1
Minimum screen size	10"
Maximum screen size	29"
Maximum load	10 kg
Arm rotation	360°
Left-right rotation	360°
Forward tilting	-50°/+50°
VESA Mounting Compatibility	75x75 up to 100x100



Full height adjustment



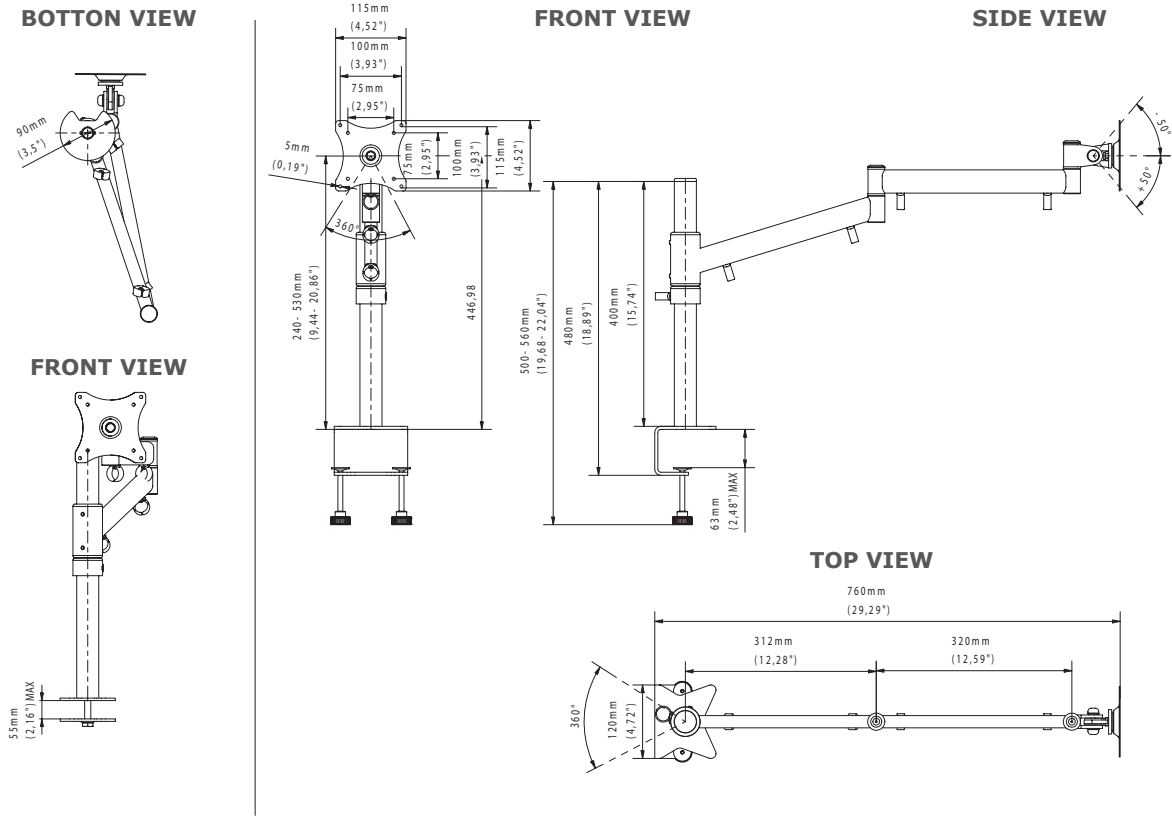
Option of screen tilting by -50° to +50°



360° arm rotation



2 types of desk fastenings included



TECHNICAL SPECIFICATIONS

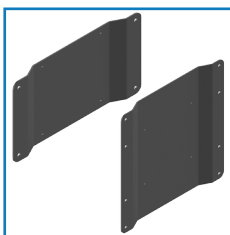
Product dimensions	W: 120 mm D: 760 mm H: 500 mm (W: 4,72" D: 29,92" H: 19,69")
Product weight	4,5 kg (10 lb)
Max. distance from mounting surface	530 mm (20,87")
Min. distance from mounting surface	240 mm (9,45")
Max. mounting pattern	100 mm x 100 mm
Min. mounting pattern	75 mm x 75 mm

LOGISTICS DATA

SAP INDEKS	EAN CODE	COLOUR	PACKAGE DIMENSIONS	PACKAGE WEIGHT
WUBI-SV03c-B	5902841103160	BLACK	480 x 375 x 130 mm (18,90" x 14,76" x 5,12")	4,9 kg (11 lb)

HS Code (Harmonized System): 732690, HTS Code (Harmonized Tariff Schedule): 7326909890, Country of Origin: Poland

ACCESSORIES AND RELATED PRODUCTS



GDA1/GDA2



SV01



SV04



DM101