

SV29

SLIM POLE DESK MOUNT

FOR 10"-29" SCREENS

SV29 has been designed for work ergonomics in small office spaces. This universal desk mount with adjustable tilt angle from -90° to $+35^{\circ}$ is invaluable for the proper planning of desk space. Adjustable monitor height ensures comfort and convenience during work. The SV29 can be used at home and in the office.

FEATURES

- Height adjustment
- Possibility of screen tilting by -90° to $+35^{\circ}$
- Universal VESA system
- Simple and quick installation

PRODUCT SPECIFICATIONS

Short index	SV29
Category	Desktop Monitor Mounts
Product group	Display Mounts
Colour	Black
Warranty	Limited 5-years
Number of screens	1
Minimum screen size	10"
Maximum screen size	29"
Maximum load	10 kg
Forward tilting	$-90^{\circ}/+35^{\circ}$
VESA Mounting Compatibility	75x75 up to 100x100



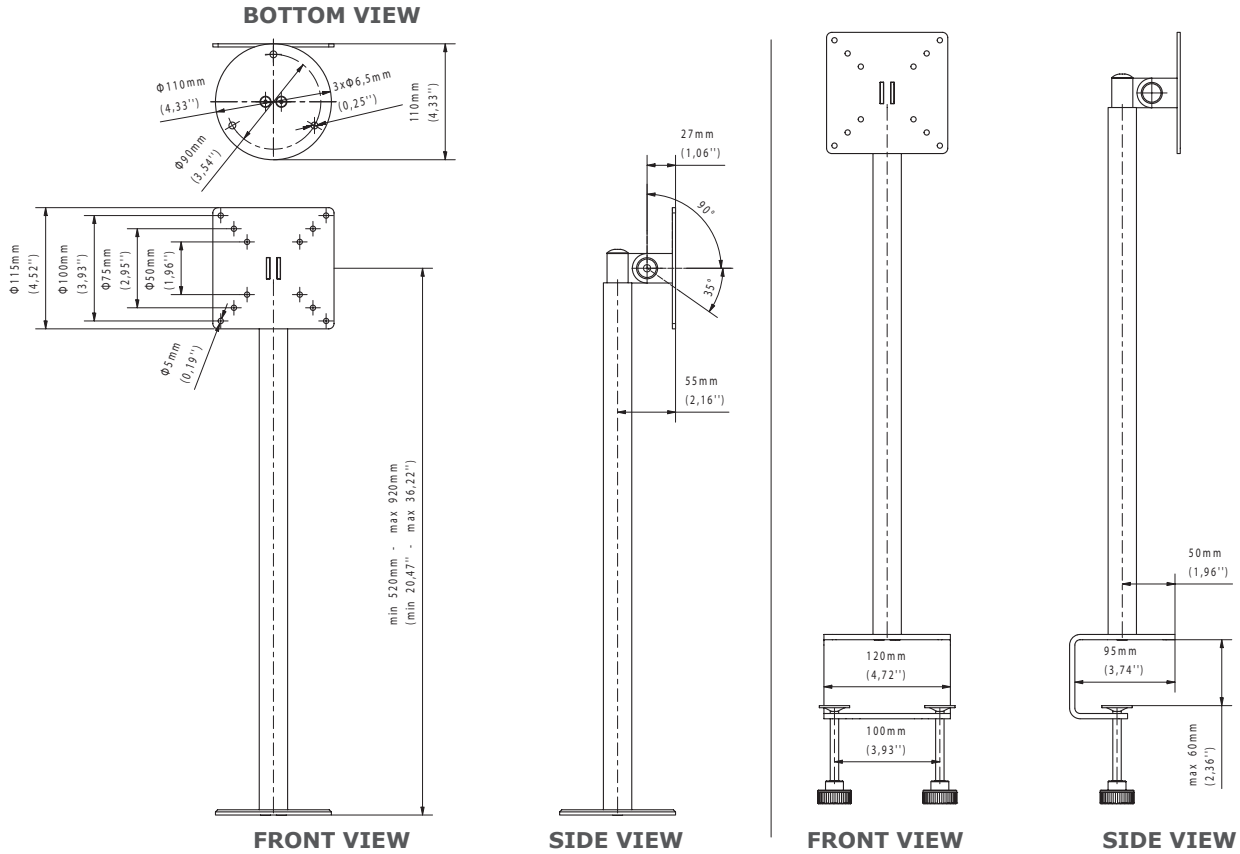
Height adjustment



Possibility of screen tilting
by -90° to $+35^{\circ}$



Universal VESA system



TECHNICAL SPECIFICATIONS

Product dimensions	W: 115 mm D: 110 mm H: 578 mm (W: 4,53" D: 4,33" H: 22,76")
Product weight	2,1 kg (5 lb)
Max. distance from mounting surface	110 mm (4,33")
Min. distance from mounting surface	110 mm (4,33")
Max. mounting pattern	100 mm x 100 mm
Min. mounting pattern	50 mm x 50 mm

LOGISTICS DATA

SAP INDEKS	EAN CODE	COLOUR	PACKAGE DIMENSIONS	PACKAGE WEIGHT
WUBI-SV29c-B	5908252968350	BLACK	820 x 185 x 120 mm (32,28" x 7,28" x 4,72")	3,5 kg (8 lb)

HS Code (Harmonized System): 732690, HTS Code (Harmonized Tariff Schedule): 7326909890, Country of Origin: Poland

ACCESSORIES AND RELATED PRODUCTS



SV01



SV03



SV04



DM101