

# SV17

## DESKTOP MOUNT

FOR SIX 19"-27" SCREENS, CURVED



The SV17 curved desk mount for six 19"-27" screens is designed for users who perform work related to all-day screen operation. Screen tilting adjustment by  $-50^{\circ}/+50^{\circ}$  and  $90^{\circ}$  right-left screen rotation allow you to position the screens to suit the user's individual needs and ensure excellent comfort during office work. Two types of desk fastenings of the mount are suitable for any installation, increasing its functionality. SV17 is a perfect choice for those who value ergonomics when working with a computer and spending many hours at the desk, including the industry, transport and monitoring centres.

### FEATURES

- Screen tilting adjustment by  $-50^{\circ}$  to  $+50^{\circ}$
- $90^{\circ}$  right-left screen position adjustment
- Height adjustment
- 2 types of desk fastenings included
- Cable management system
- Modern design
- Simple and quick installation

### PRODUCT SPECIFICATIONS

|                             |                           |
|-----------------------------|---------------------------|
| Short index                 | SV17                      |
| Category                    | Desktop Monitor Mounts    |
| Product group               | Display Mounts            |
| Colour                      | Black                     |
| Warranty                    | Limited 5-years           |
| Number of screens           | 6                         |
| Minimum screen size         | 19"                       |
| Maximum screen size         | 27"                       |
| Maximum load                | 60 kg                     |
| Arm rotation                | $360^{\circ}$             |
| Left-right rotation         | $90^{\circ}$              |
| Forward tilting             | $-50^{\circ}/+50^{\circ}$ |
| VESA Mounting Compatibility | 75x75 up to 100x100       |



Screen tilting adjustment by  $-50^{\circ}$  to  $+50^{\circ}$



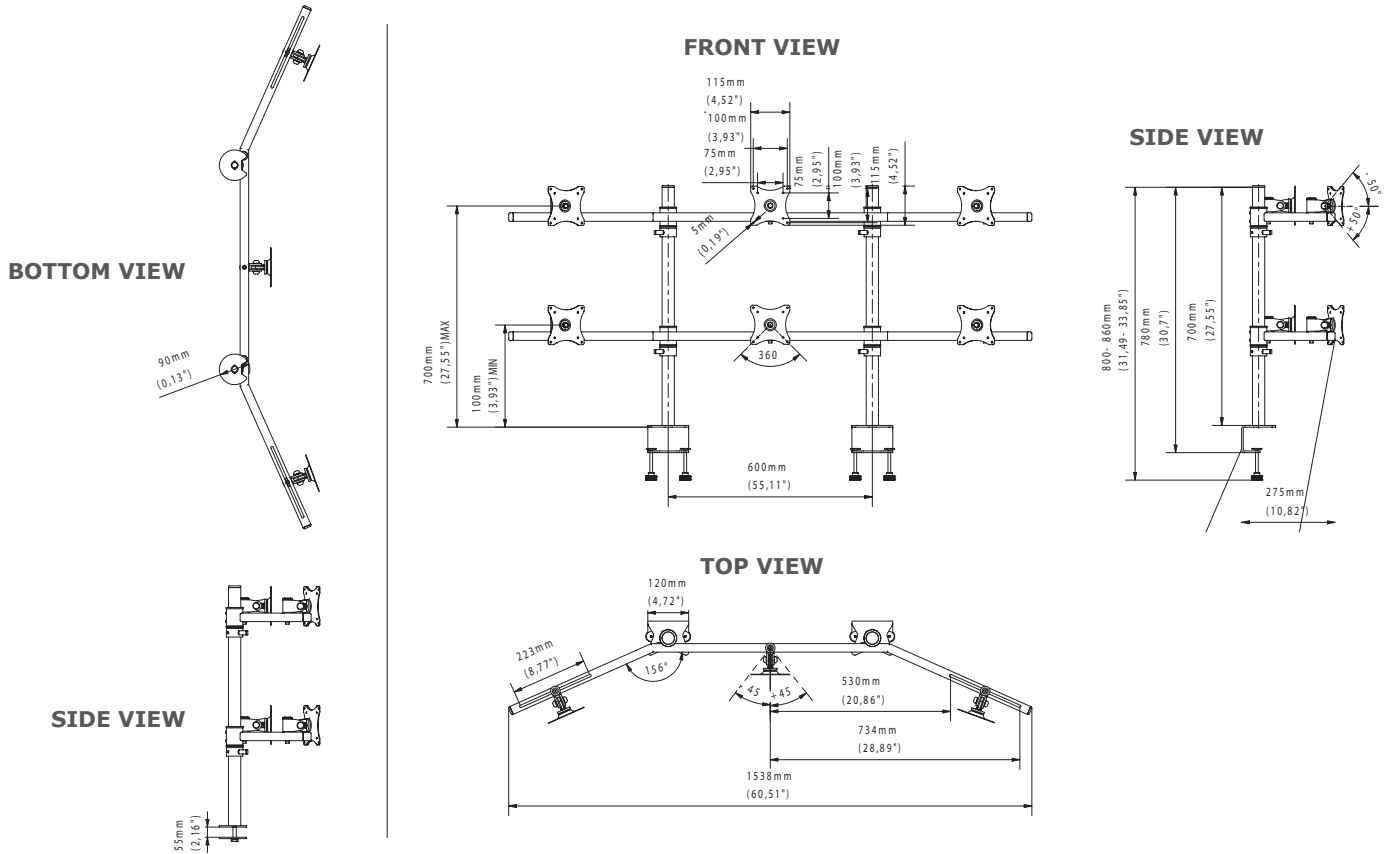
Height adjustment



2 types of desk fastenings included



Cable management system



## TECHNICAL SPECIFICATIONS

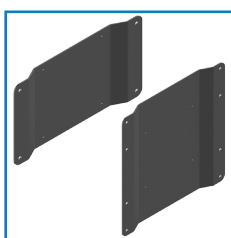
|                                     |  |
|-------------------------------------|--|
| Product dimensions                  | W: 1538 mm D: 275 mm H: 800 mm (W: 60,55" D: 10,83" H: 31,50") |
| Product weight                      | 14,5 kg (32 lb)  |
| Max. distance from mounting surface | 700 mm (27,56")  |
| Min. distance from mounting surface | 100 mm (3,94")   |
| Max. mounting pattern               | 100 mm x 100 mm  |
| Min. mounting pattern               | 75 mm x 75 mm  |

## LOGISTICS DATA

| SAP INDEKS   | EAN CODE      | COLOUR | PACKAGE DIMENSIONS                               | PACKAGE WEIGHT   |
|--------------|---------------|--------|--|------------------|
| WUBI-SV17c-B | 5908252960743 | BLACK  | 1560 x 315 x 170 mm<br>(61,42" x 12,40" x 6,69") | 16 kg<br>(35 lb) |

HS Code (Harmonized System): 732690, HTS Code (Harmonized Tariff Schedule): 7326909890, Country of Origin: Poland

## ACCESSORIES AND RELATED PRODUCTS



GDA1/GDA2



SV11



SV05



SV07

2021 - EDBAK Sp. z o.o. All rights reserved. The information included in the specification reflects the current technical specifications at the time of printing. We reserve the right to modify technical or physical specifications without prior notice. EDBAK name and EDBAK logo are registered trademarks of EDBAK Sp. z o.o. All EDBAK images and symbols are sole property of EDBAK Sp. z o.o. Edbak shall not be held liable for any loss or damage caused by incorrect installation or mounting. Copying this specification in whole or in part is only allowed after obtaining written consent from EDBAK Sp. z o.o.

SV17c-B-211101-EN