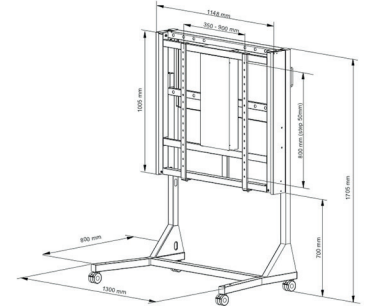




Ready when you are.



M Motorized Floorstand 160 kg White

Art No: 7 350 073 731 145

Are you in the need of a mobile solution that allows a single screen to be moved into many rooms? Introducing the all new M Motorized Floorstand 160 kg White. The height of the often large size LCD/ LED can easily be adjusted by one person via the remote control. The motor-driven height adjustment allow you to move

the LCD/LED screen up or down to a suitable height for any presentation or digital signage situation. Using high quality TENTE wheels the mobile floorstand can easily pass through doorways and over thresholds. Multi-brackets has incorporated a clever wheelbase making it possible for the user to get very close to the screen.

SPECIFICATIONS

M Motorized Floorstand 160 kg White	
For screen size:	42-110"
Mounting holes (VESA):	100 - 800 /350 - 900 mm (1200 mm)
Article No:	7 350 073 731 145
Colour:	White
For Interactive White Board: (optional)	60 - 105" (max height 1470 mm)
Fixing Interactive White Board: (optional)	Art No. 7 350 073 731 237
Max load:	160 kg
Interactive White Board max load:	150 kg
Motor:	Yes
Remote control:	Yes (wired)
Height adjustment:	500 mm
Trolley:	4x TENTE wheels with brake
Cable management:	Yes
Dimension: (WxHxD)	1300x1705x800 mm
Weight:	68 kg
Certification:	CE
Distribution package:	2 pcs
Distribution package measurements: (WxHxD)	Pack. 1: 1170x1260x180 mm, pack. 2: 1600x850x150 mm
Distribution package weight:	Pack. 1: 48 kg, pack. 2: 29 kg
Warranty:	1 year

