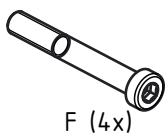
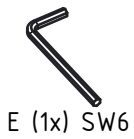
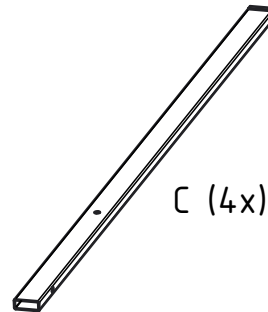
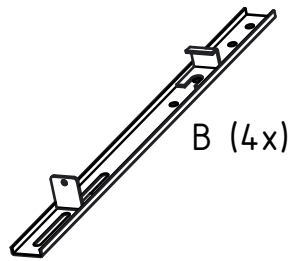
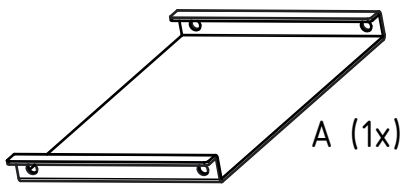
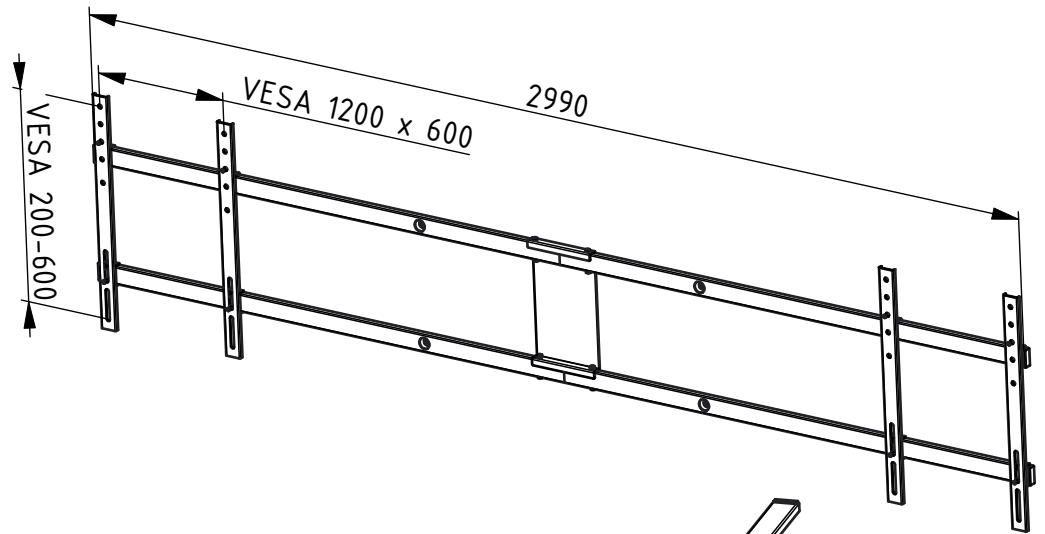
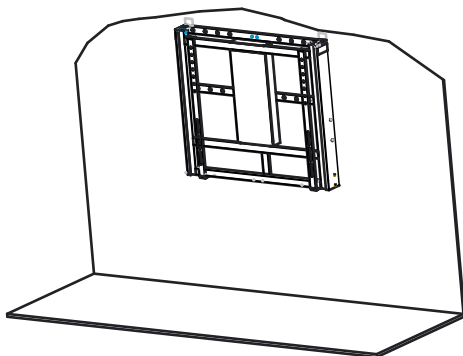
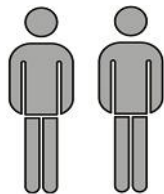


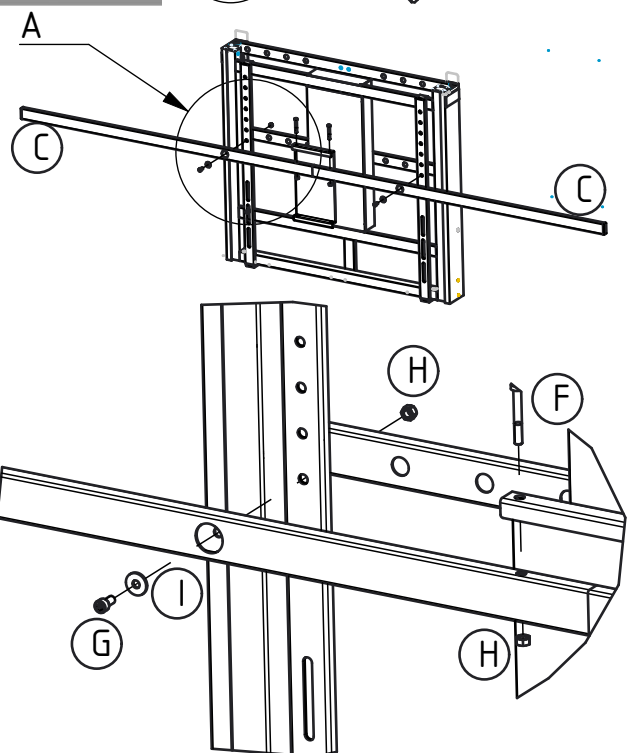
INSTALLATION INSTRUCTIONS
DUAL SCREEN MOUNT



1.



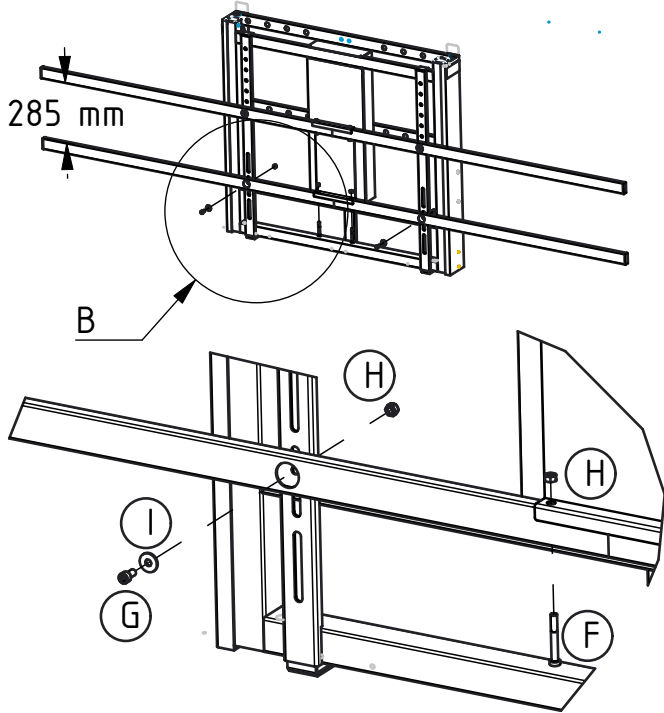
2.



detail A



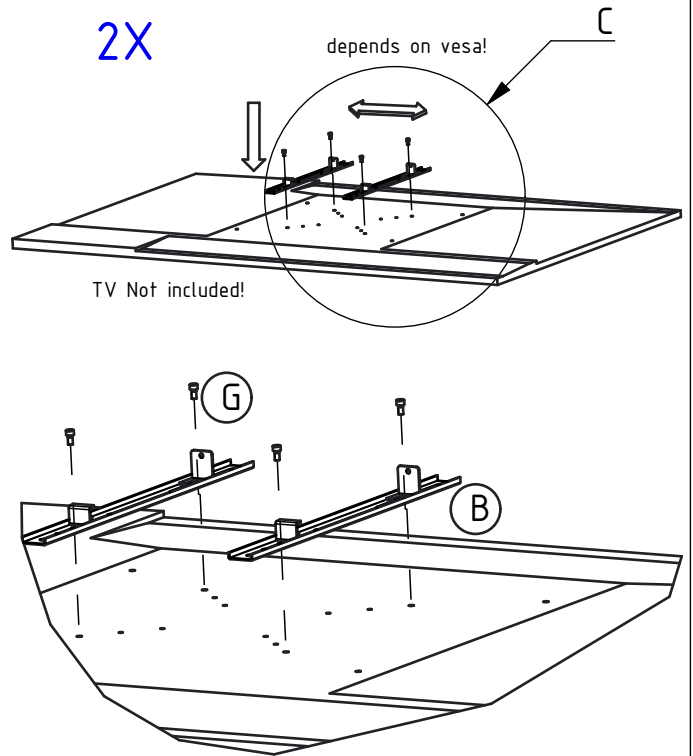
3.



detail B



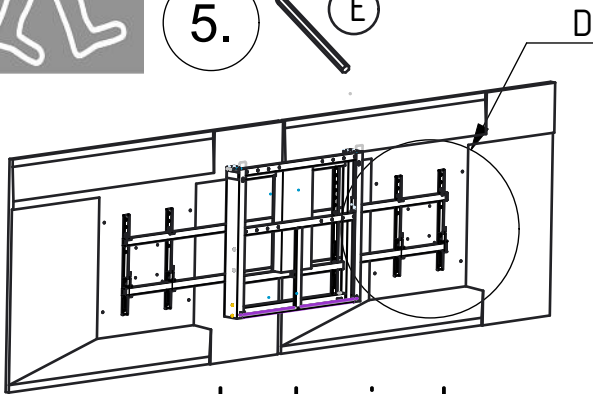
4.



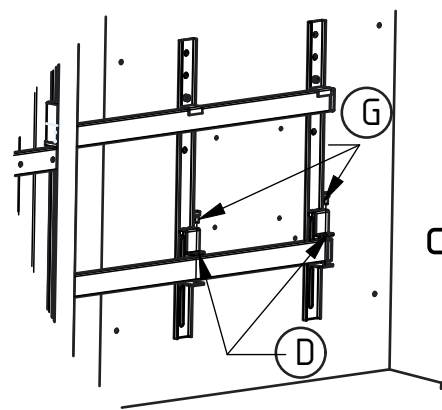
detail C



5.



back view!



detail D



MAX 50 KG FOR ONE TV!

VESA:
 min = 200 x 200 mm
 max = 1200 x 600 mm

