

M U L T I B R A C K E T S



# M Video Wall Mount Push Max 90 kg

Videowall with quick lock push system

## INSTALLATION AND USER MANUAL

### Warning

#### For correct and safe use

This manual contains instructions and drawings for correct and safe use of the product. Non-compliance with descriptions and drawings and/or improper use of the product could cause the effects specified below. Please note the following hazard symbols before reading the remainder of this session, and follow the instructions thoroughly.

**⚠ Danger:** any failure in observing these instructions could lead to death or serious injuries.

**⚠ Warning:** any failure in observing these instructions could lead to failure or damage to objects.

Meaning of the symbol: **⊘** the symbol warns against doing something.

#### Special precautions for safety.

**⚠ Danger**

- Follow the instructions reported in this manual about the installation method. Any failure in observing these instructions could lead to damage or injuries due to MONITOR set or other objects falling down.
- Please use qualified personnel for installation
- Make sure that the wall where the MONITOR set has to be installed can bear the weight of the MONITOR set itself.
- Do not apply any other weight to the MONITOR set or the bracket. This could make the MONITOR set fall down and cause injuries or damage to objects.
- Do not change or alter the components for installation. This make the MONITOR set fall down and cause injuries or damage to objects.

#### ⚠ Warning

Carry out the installation in places without humidity or dust.

- ⊘** - Do not install the MONITOR screen in places with a high degree of humidity and dust. This could bring about fire or electric shocks.
- ⊘** - Do not install the MONITOR screen in places where it could get in contact with fumes or vapours. This could bring about fire or electric shocks. "

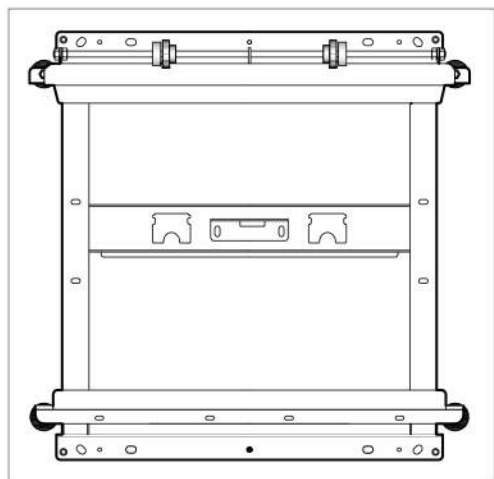
Carry out the installation in a well vented area.

- ⊘** - Do not obstruct the holes for air passage on the MONITOR screen. This could bring about fire.
- ⊘** - Do not place the MONITOR set in a poorly vented place.

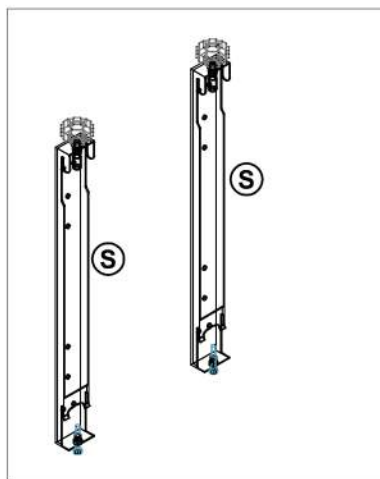
Please take careful note of the following: use qualified personnel for the installation. The producer will not bear responsibility for any improper installation or any accident, damage or injury that may come arise from incorrect installation.



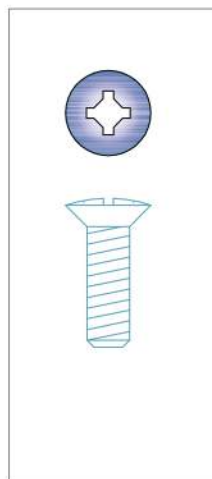
## Parts of the package



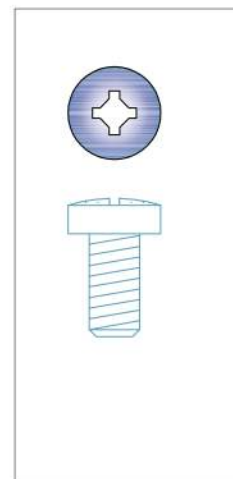
Bracket (x1)



Monitor sustain (x2)

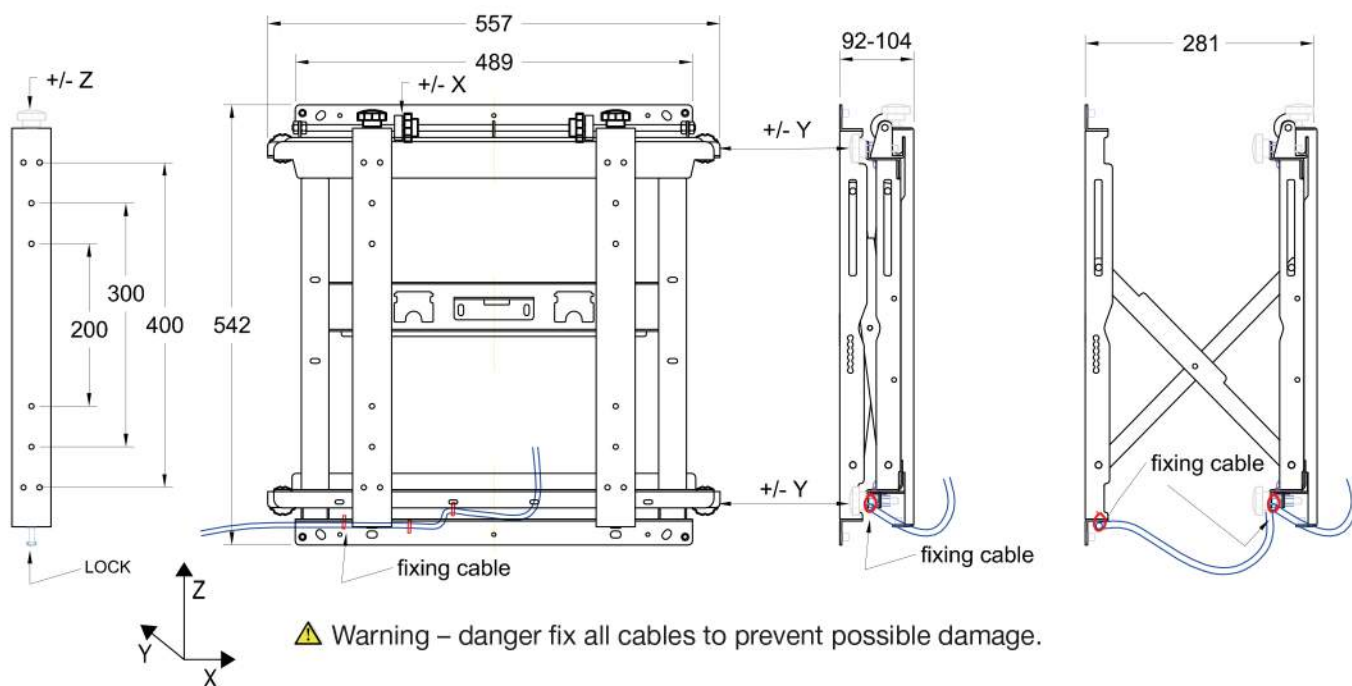


Screws M6x16 (x4)

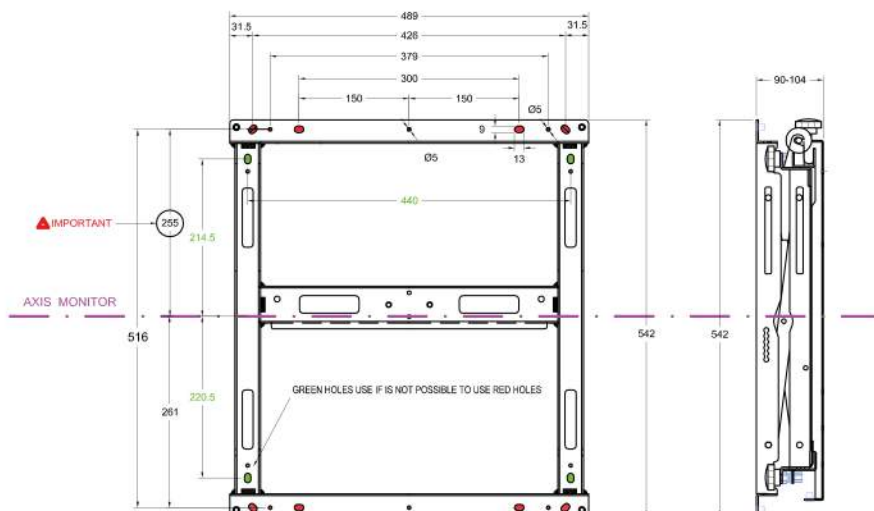


Screws M8x14 (x4)

## Dimensions

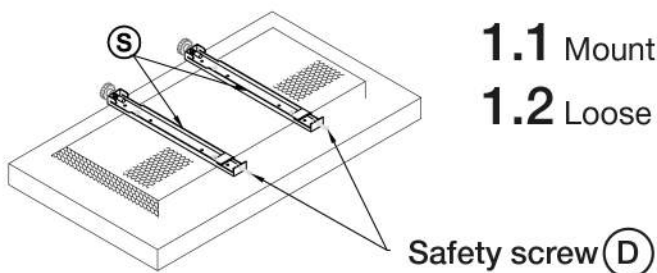


## Wall fixing point



# 1

## Installation lcd bracket



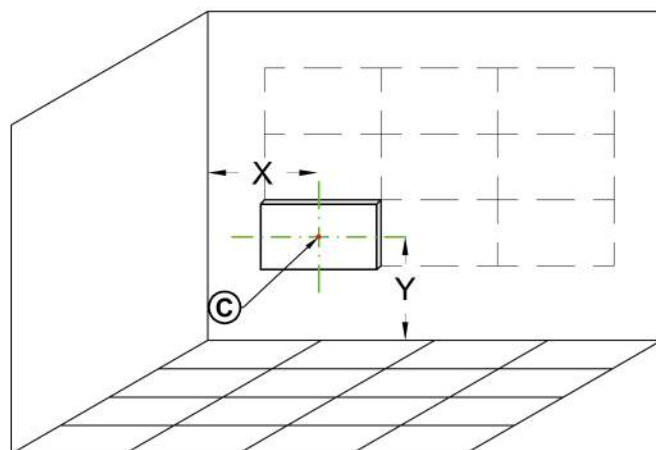
**1.1** Mount on the back of monitor the lcd bracket (S).

**1.2** Loose completely the two safety screws (D).

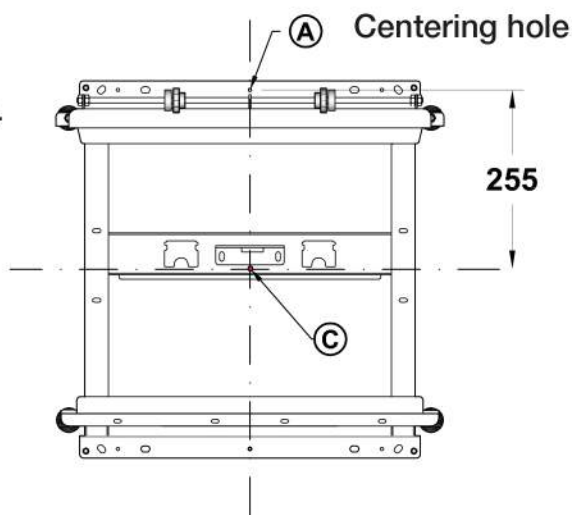
# 2

## Installation first bracket

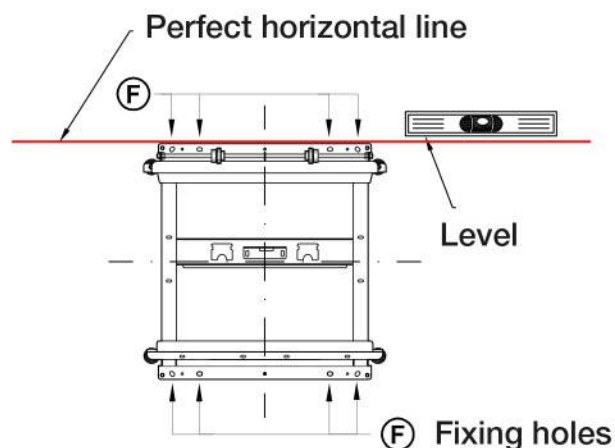
**2.1** Determine the center (C) of the first monitor on bottom left.



**2.2** Mark 252 mm up from (C) to the centering hole (A).



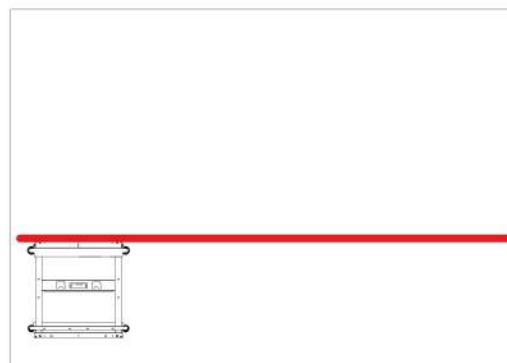
**2.2** Fix the bracket horizontally by using the holes (F) with a suitable anchor for your kind of wall.



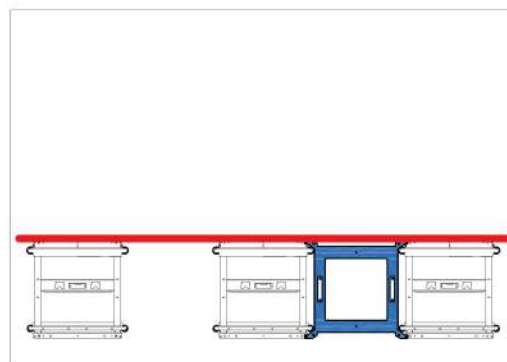
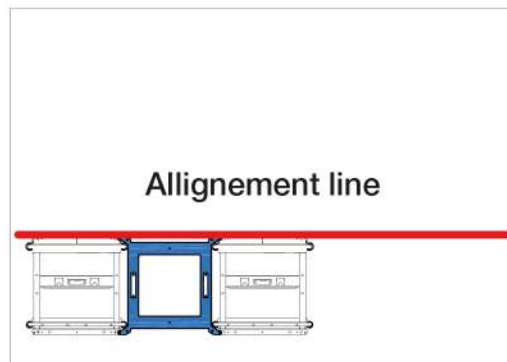
# 3

## Mounting an aligning of the other bracket

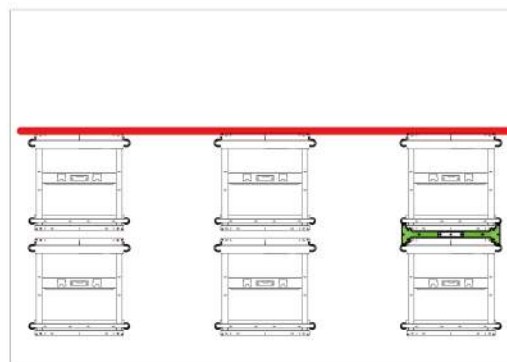
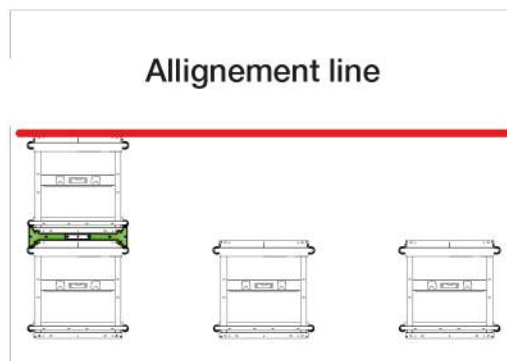
**3.1** After you have mounted the first bracket as described, draw a horizontal line (the use of a laser leveller may help).



**3.2** Using the appropriate spacer, you can now place the second bracket. Proceed in this way with the other brackets.



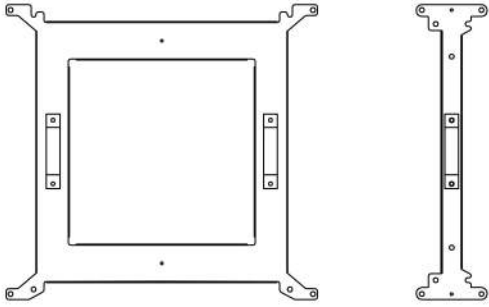
**3.3** Using the appropriate spacer, mount the first bracket of the next row. Draw a horizontal line again. Proceed with the mounting of the next brackets.





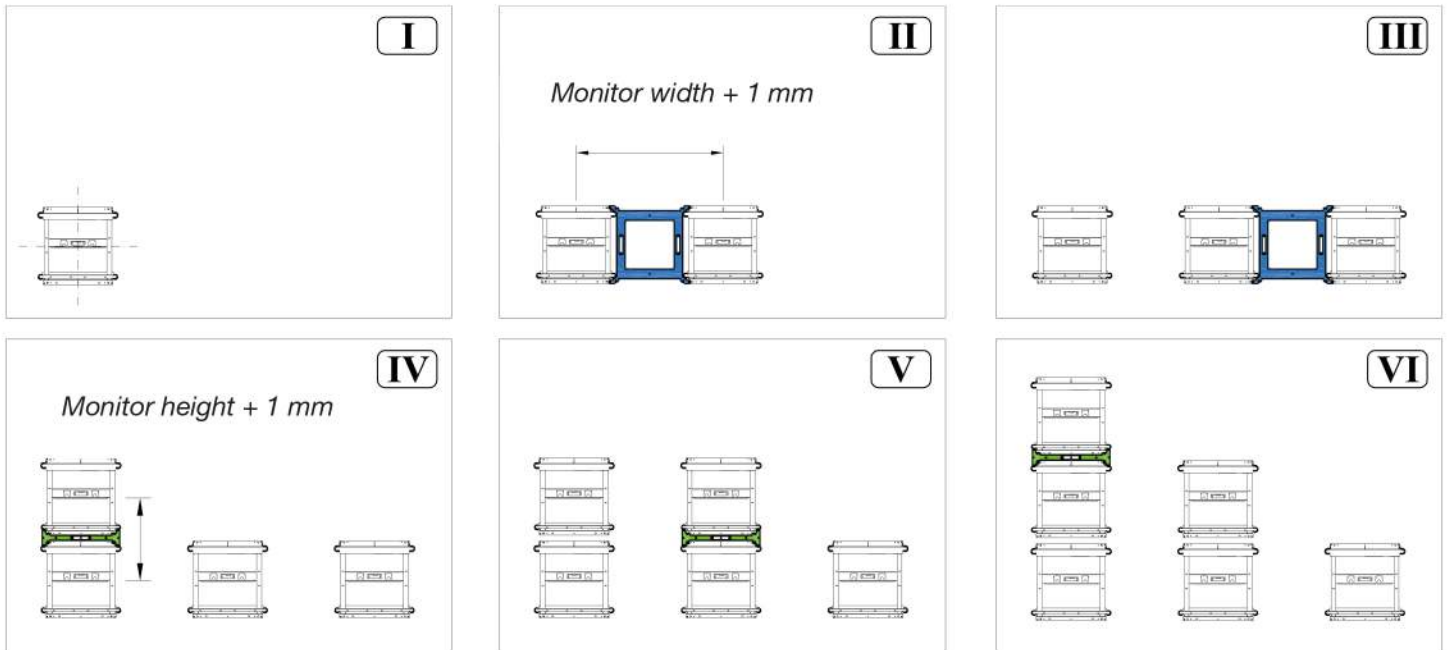
# 4

## Kit mounting spacers

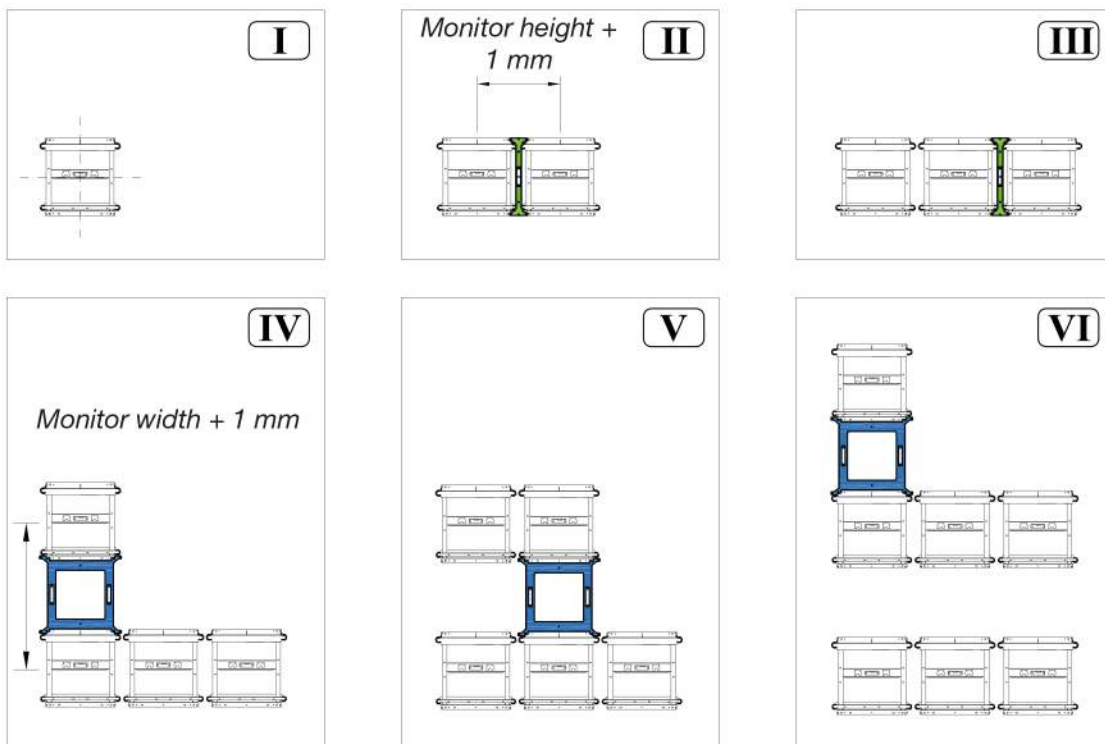


For quick installation of the videowall it's advised to use this spacer kit (not supplied). For each model of monitor there is a specific spacer kit available.

### Example of horizontal monitor mounting with spacers

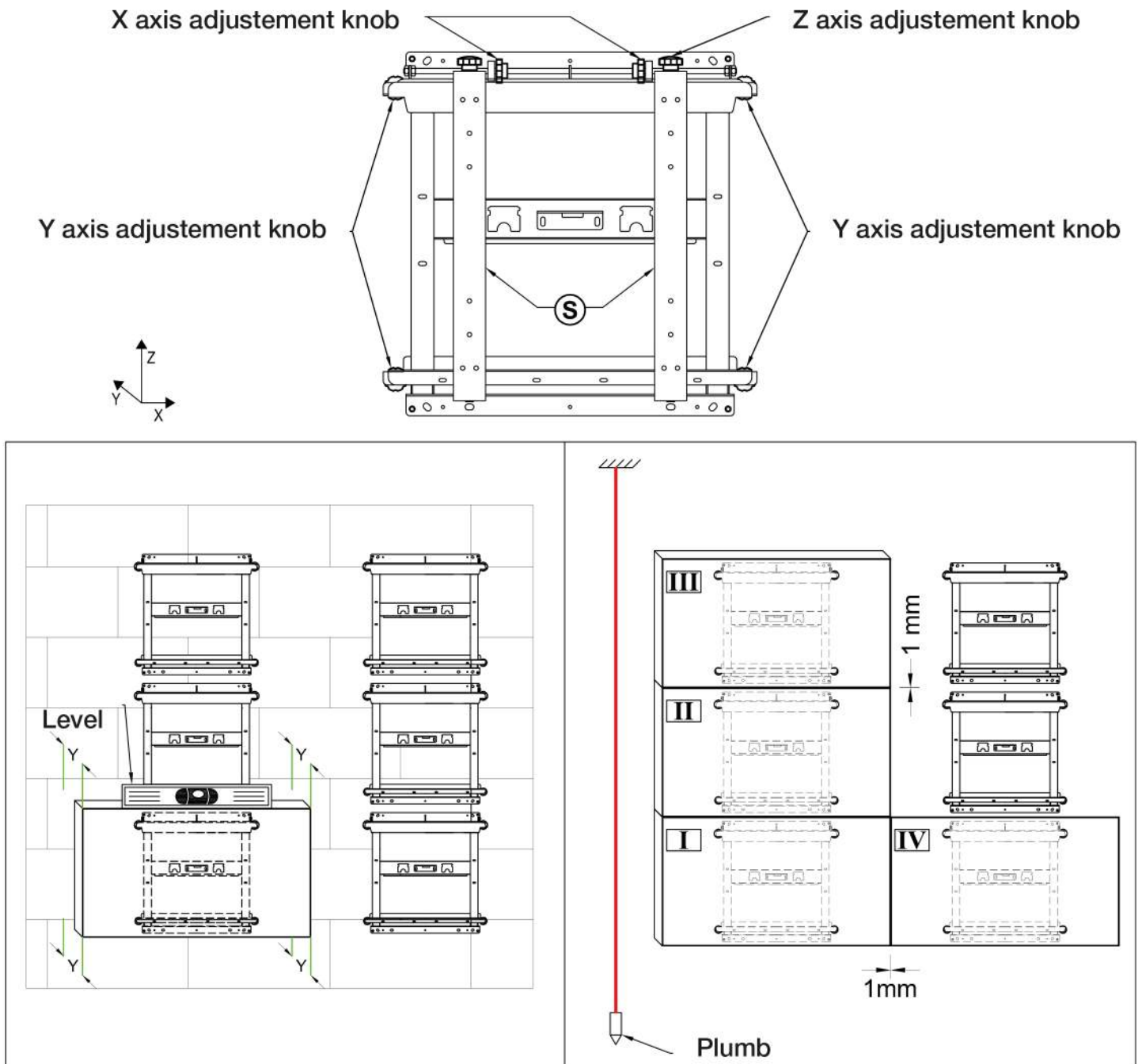


### Example of vertical monitor mounting with spacers



# 5

## Monitors alignment



- 5.1** First hook bottom of the left monitor. Be careful to keep the knobs (X) between the brackets (S)
- 5.2** Check that the horizontal center of the monitor is aligned with the horizontal center of the bracket.
- 5.3** Using a level align the monitor parallel to the floor by using Z axel adjustment knob.
- 5.4** Using the Y axis regulation knob to ensure that every corner of the monitor is equidistant from the wall.
- 5.5** Use a plumb for align the first column of monitors taking at least 1mm between them.
- 5.6** Hook remaning monitors taking at leas 1 mm between them.
- 5.7** When the position adjustment of the monitor is finished if necessary tight the safety screws previously loosened.

# Mounting instructions Extender kit (600x400) / (800x400)

Landscape monitor

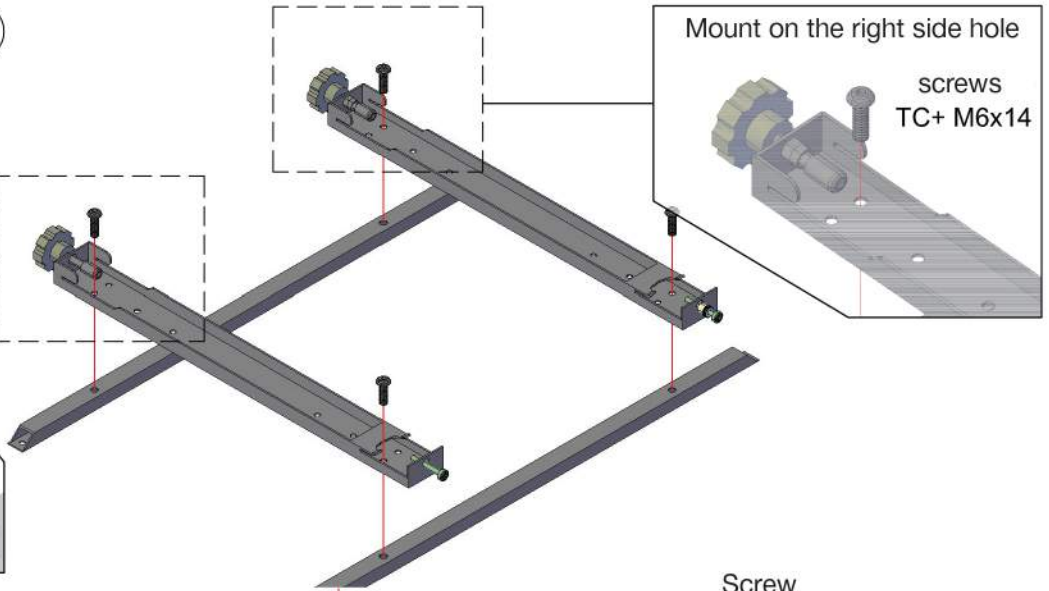
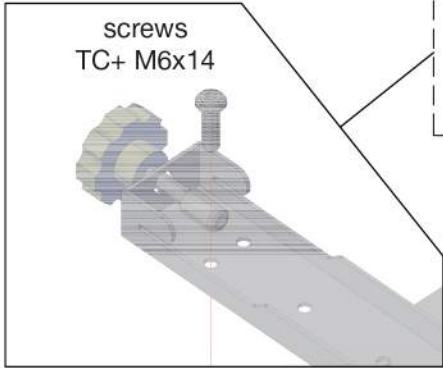
1

Mount on the left side hole

Mount on the right side hole

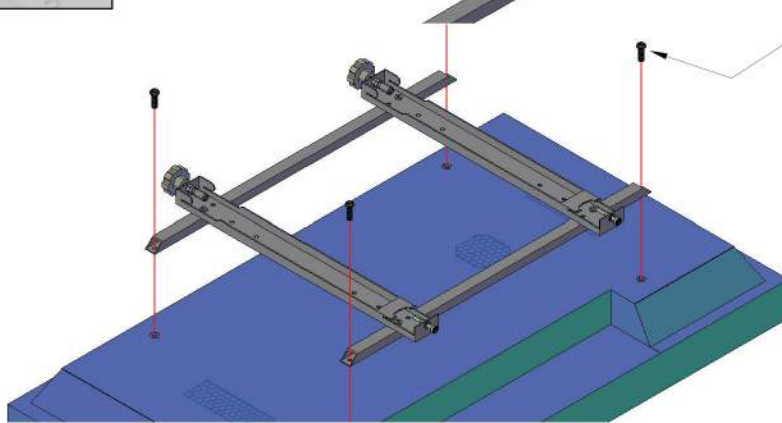
screws  
TC+ M6x14

screws  
TC+ M6x14



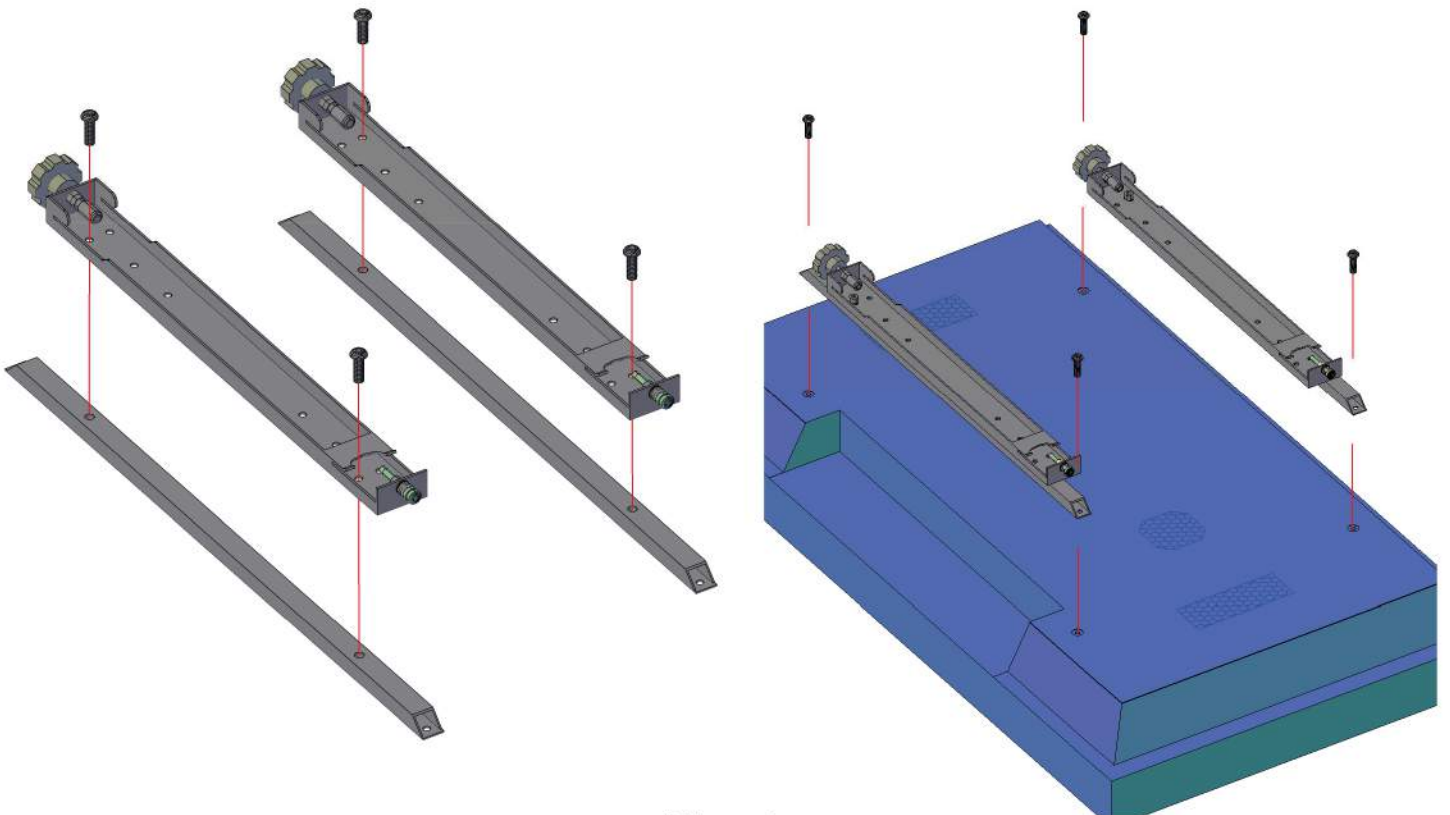
2

Screw  
TC+ M8x14  
TS+ M6x16



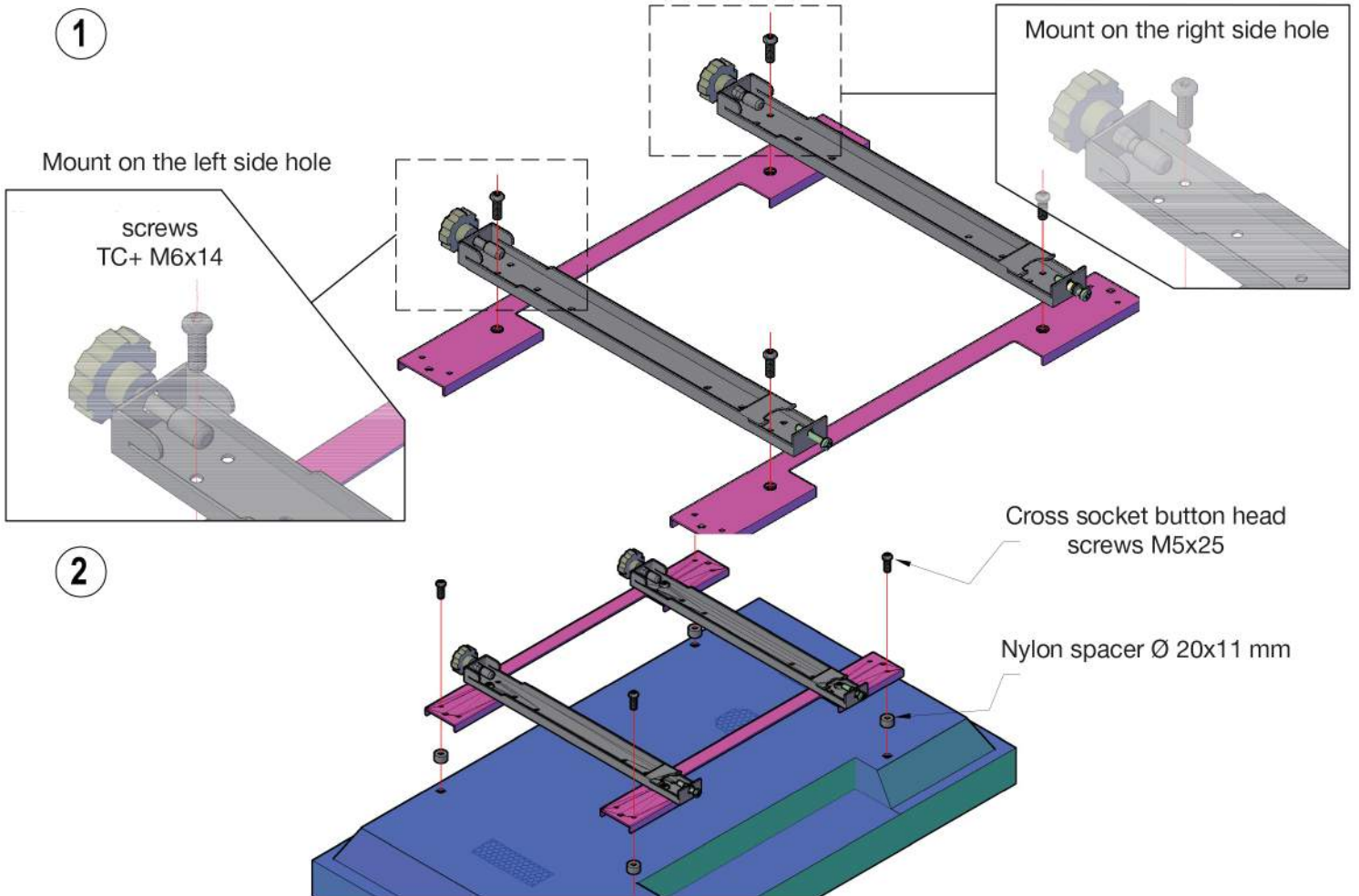
# Mounting instructions Extender kit (600x400) / (800x400)

Portrait monitor





# Mounting instructions Vesa 400x400 kit (included), (max 580x440) horizontal monitor



# Mounting instructions Vesa 400x400 kit (included), (max 580x440) vertical monitor

