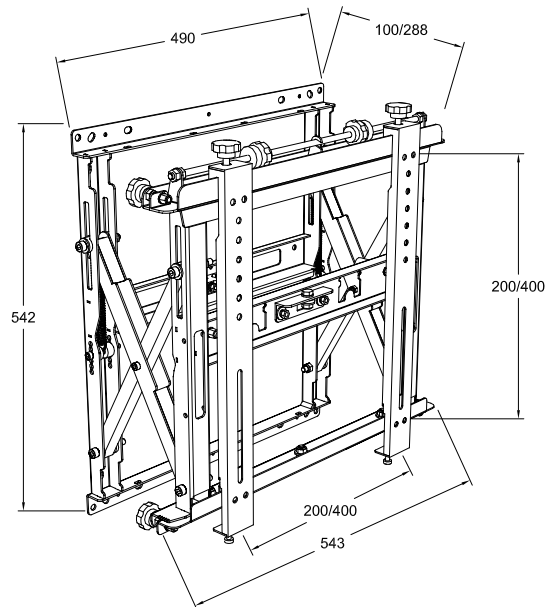




Ready when you are.



M Public Video Wall Mount Push HD

Art No: 7 350 073 730 568

The M Public Video Wall Mount Push HD might just be one of the markets most innovative and easy to install video wall mounts available. The "Pop out" feature gives easy-access to any display for quick serviceability. Simply push against the screen to release the lock, then the screen will pop out, you do not need to remove any other screens to access a center screen for maintenance or when placed in recessed areas.

With the built in fine tune adjustments each of the M Public Video Wall Mount Push HD can be adjusted individually to match "its neighboring screens". By 8 knobs the screens can be adjusted in depth, side and height. The M Public Video Wall Mount Push HD is an iron structure with epoxy painting, holding screens up to 50kg in "pop outed" position.

SPECIFICATIONS

M Public Video Wall Mount Push HD	
For screen size:	40 - 70"
VESA standard:	200 x 200, 300 x 200, 300 x 300, 400 x 200, 400 x 400
By adapter kit:	600 x 400 and 800 x 400 VESA Standard
EAN:	7 350 073 730 568
Colour:	Black
Max load:	50 kg
Weight:	11 kg
Size in mm:	760x460
Warranty:	2 year

