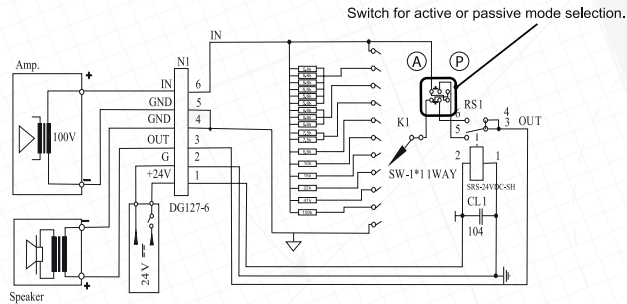


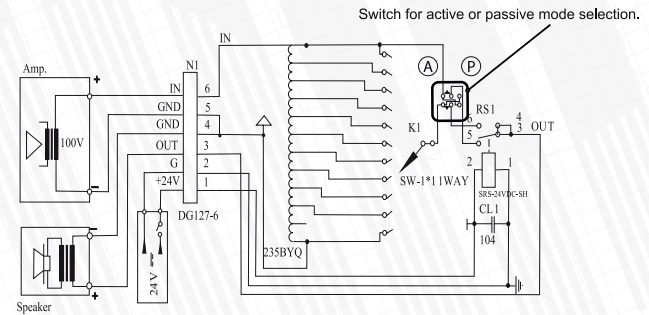
VC 5RX / 30RX / 60RX volume controls

WIRING DIAGRAM

VC 5RX volume control for 100V audio lines



VC 30RX/ VC 60RX volume control for 100V audio lines



- Ⓟ Passive mode: VC RX attenuates the volume if 24V is not connected to 24V terminal. After the voltage supplying, VC RX sets the maximum volume level.
- Ⓐ Active mode: VC RX set the maximum volume level if 24V is not connected to 24V terminal. After the voltage supplying, VC RX starts attenuate volume.