



FEATURES

- Modern Design with a high-end finish
- Aluminum construction with a semi-textured powder coat or anodized finish
- Ceiling plate covers to hide fixings included
- Micro-Adjustment mechanism ensures precise installation
- Universal for all key projectors with multiple fixing points
- Distance from ceiling to projector from 450 mm to 1700 mm
- Internal cable management in tube
- 45° horizontal adjustment



PRODUCT SPECIFICATION

	Dimensions (HxWxD)	Weight	Max capacity	Extension	Colour	Packaging dimensions
PMV100	450x180x180 mm	4,5 kg	15 kg	450-650 mm	black silver white	500x200x200 mm
PMV200	650x180x180 mm	5 kg	15 kg	650-1000 mm	black silver white	700x200x200 mm
PMV300	1000x180x180 mm	6 kg	15 kg	1000-1700 mm	black silver white	1050x200x200 mm

TECHNICAL





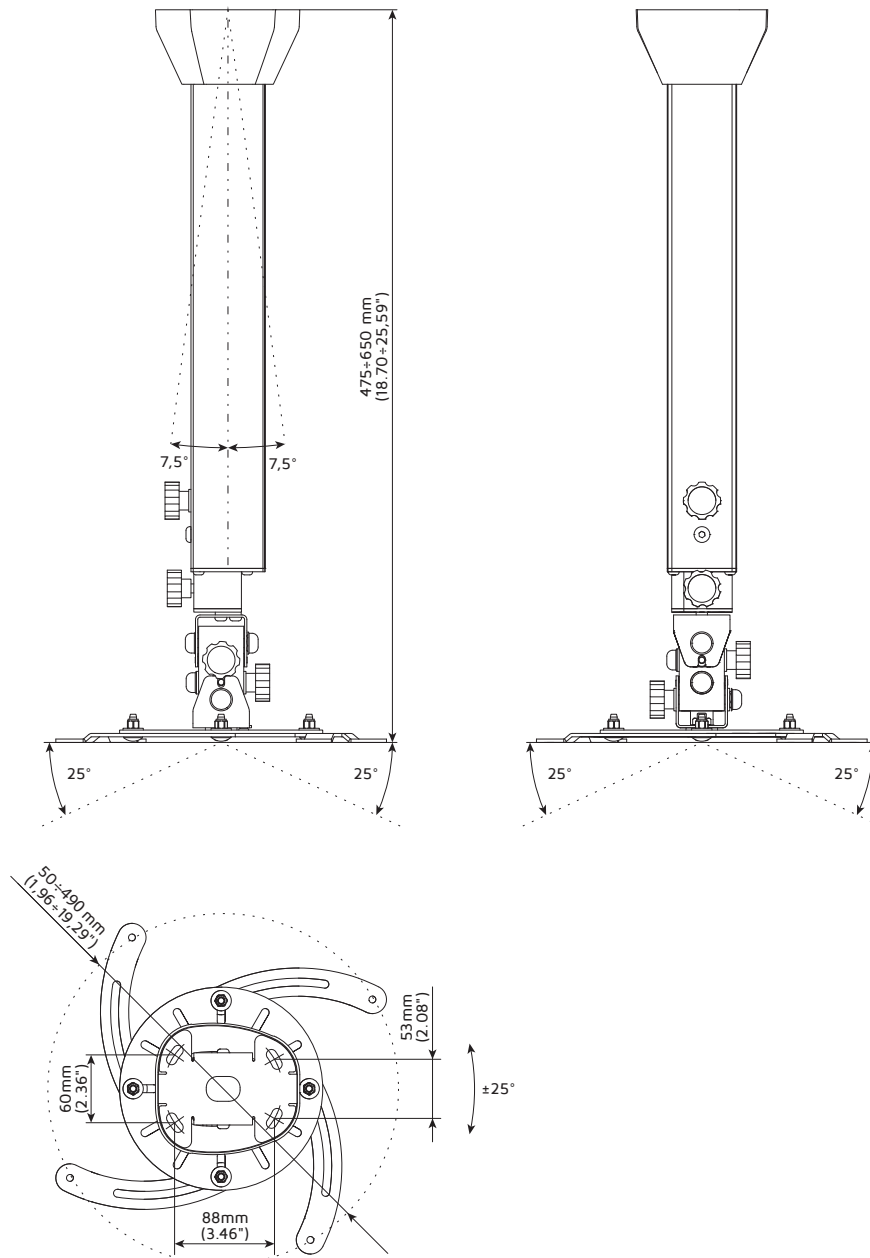
Projector Ceiling Mount

PRODUCT SPECIFICATION

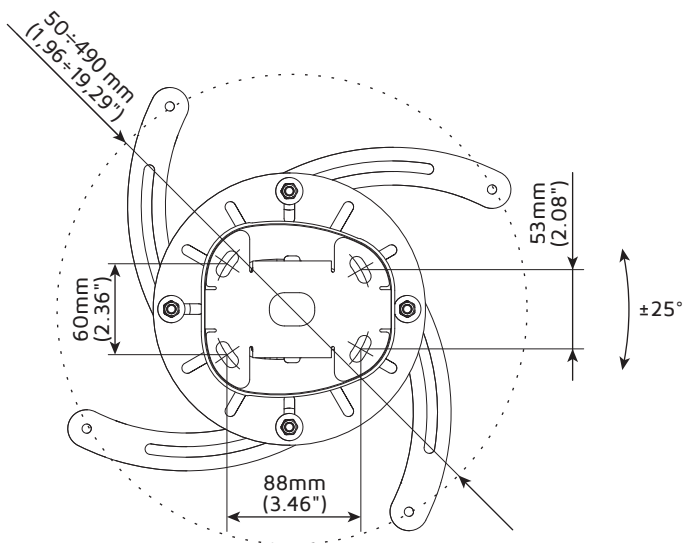
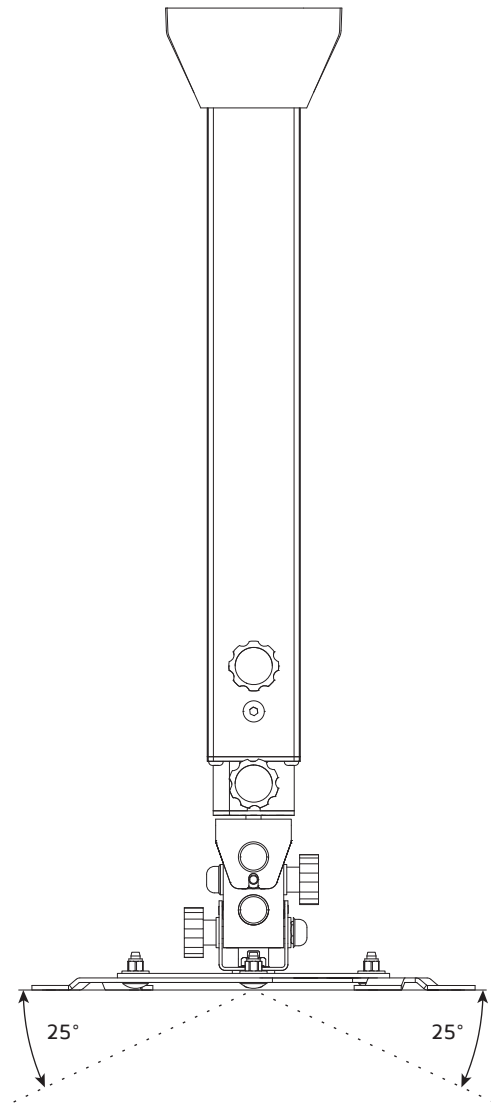
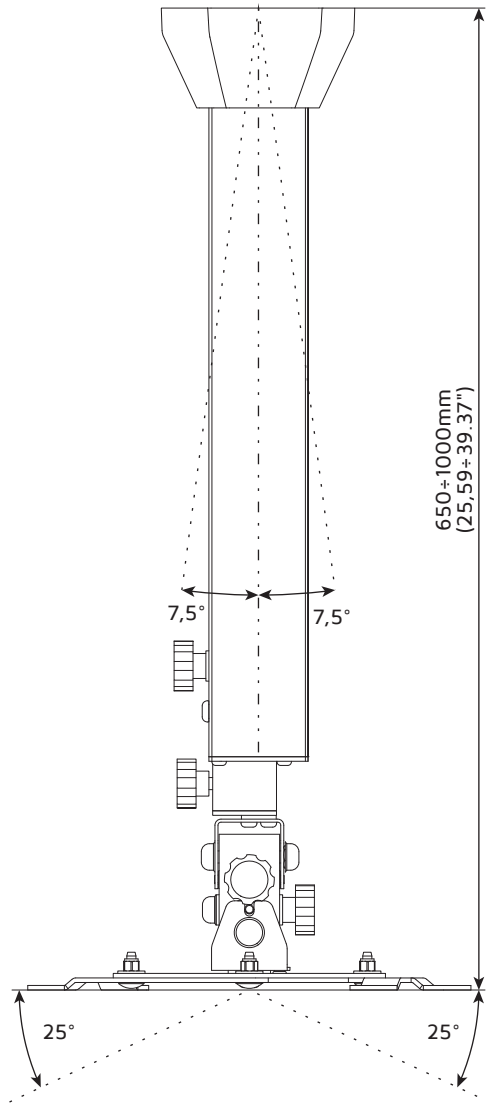
	Dimensions (HxWxD) mm	Weight	Max capacity	Extension	Colour	Packaging dimensions
PMV100	450x180x180 mm	4,5 kg	15 kg	450-650 mm	black silver white	500x200x200 mm
PMV200	650x180x180 mm	5 kg	15 kg	650-1000 mm	black silver white	700x200x200 mm
PMV300	1000x180x180 mm	6 kg	15 kg	1000-1700 mm	black silver white	1050x200x200 mm

TECHNICAL DRAWINGS

PMV100



PMV200





PMV300

